

Microwave Oven

Use and Care Manual

MCO165UW / MCO165UB

Table of Contents

Introduction..... 1

Precautions to Avoid Possible Exposure to Excessive Microwave Energy..... 1

Important Safety Instructions 2~3

Installation Recommendations..... 4

Control Panel..... 5~6

Oven Features at a Glance 7

Operating Basics 8~12

Special Features..... 12~16

Care and Cleaning 17~19

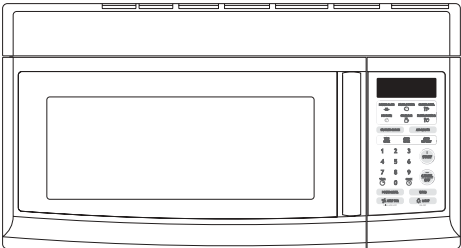
Questions and Answers 20

Before You Call..... 21

Warranty.....22

IMPORTANT SAFETY INSTRUCTION

Never operate the oven when it is empty or without the glass turntable.



Introduction

Congratulations on your purchase of an over-the-range microwave oven. For best results, we suggest reading this guide carefully. You will find instructions on the proper operation and maintenance of your microwave.

PRECAUTIONS TO AVOID POSSIBLE EXPOSURE TO EXCESSIVE MICROWAVE ENERGY

- A. Do not** attempt to operate this oven with the door open since open-door operation can result in harmful exposure to microwave energy. It is important not to defeat or tamper with the safety interlocks.
- B. Do not** place any object between the oven front face and the door or allow soil or cleaner residue to accumulate on sealing surfaces.
- C. Do not** operate the oven if it is damaged. It is particularly important that the oven door close properly and that there is no damage to the: (1) door (bent), (2) hinges and latches (broken or loosened), (3) door seals and sealing surfaces.
- D.** The oven should not be adjusted or repaired by anyone except properly qualified service personnel.

IMPORTANT SAFETY INSTRUCTIONS

When using electrical appliances, basic safety precautions should be followed, including the following:

▲ WARNING - To reduce the risk of burns, electric shock, fire, injury to persons or exposure to excessive microwave energy:

1. Read all instructions before using the appliance.
2. Read and follow the specific "PRECAUTIONS TO AVOID POSSIBLE EXPOSURE TO EXCESSIVE MICROWAVE ENERGY" found on page 1.
3. This appliance must be grounded. Connect only to properly grounded outlet. See "GROUNDING INSTRUCTIONS" on page 4.
4. Install or locate this appliance in accordance with the provided installation instructions. Do not mount over a sink
5. **This microwave oven is UL listed for installation over electric and gas ranges.**
This over-the-range oven was designed for use over ranges no wider than 30 inches.
6. **For best operation, plug this appliance into its own electrical outlet, to prevent flickering of lights, blowing of fuse or tripping of circuit breaker.**
7. Some products such as whole eggs and sealed containers - for example, closed jars - are able to explode and should not be heated in this oven. In rare instances, poached eggs have been known to explode. Cover poached eggs and allow standing time of one minute before cutting into them.
8. Foods with unbroken outer "skin" such as potatoes, sausages, tomatoes, apples, chicken livers and other giblets, and egg yolks (see previous caution) should be pierced to allow steam to escape during cooking. "Boilable" cooking pouches and tightly closed plastic bags should be slit, pierced or vented.
9. Do not heat, store or use flammable materials in or near the oven. Fumes can create a fire hazard or explosion.
10. Use this appliance only for its intended use as described in this manual. Do not use corrosive chemicals or vapors in this appliance. This type of oven is specifically designed to heat, cook or defrost food. It is not designed for industrial, laboratory or commercial use. It is intended for home use only.
11. As with any appliance, close supervision is necessary when used by children.
12. Do not operate this appliance if it has a damaged cord or plug, if it is not working properly or if it has been damaged or dropped.
13. This appliance should be serviced only by qualified service personnel. Contact nearest authorized service facility for examination, repair or adjustment.
14. Do not cover or block any openings on the appliance.
15. Do not use or store this appliance outdoors. Do not use this product near water - for example, near a kitchen sink, in a wet basement or near a swimming pool, or similar locations.
16. Do not immerse cord or plug in water.
17. Keep cord away from heated surfaces.
18. Do not let cord hang over edge of table or counter.
19. When cleaning surfaces of door and oven that come together on closing the door, use only mild, non-abrasive soaps or detergents applied with a sponge or soft cloth.
20. To reduce the risk of fire in the oven cavity:
 - a. Do not overcook food. Carefully attend appliance when paper, plastic or other combustible materials are placed inside the oven to facilitate cooking. Avoid using recycled paper products. Do not use newspaper or other printed paper in the oven. Such products sometimes contain impurities which could ignite.
 - b. Remove wire twist-ties from paper or plastic bags before placing them in oven.
 - c. If materials inside the oven ignite, keep oven door closed, turn oven off and disconnect the power cord or shut off power at the fuse or circuit breaker panel.
 - d. Do not use the oven for storage. Do not leave paper products, cooking utensils or food in the oven when not in use.
 - e. Do not pop popcorn except in a microwave approved popcorn popper or in a commercial package recommended especially for microwave ovens.
 - f. Do not overcook potatoes. They may dehydrate and catch fire.
 - g. Do not use for drying clothes, linens, newspaper or similar non-food type items.
21. **Do not operate the oven when empty or with an empty utensil to avoid damage to the oven and danger of fire.**
22. Do not lean on the oven door. The door is designed to close tightly and seal properly for safe operation. Leaning on the door may warp or break the hinges.

...more

IMPORTANT SAFETY INSTRUCTIONS cont.

23. To avoid exposure to dangerous high voltage, **DO NOT REMOVE THE SPLATTER SHIELD** inside the oven cavity.
24. Liquids, such as water, coffee, or tea are able to be overheated beyond the boiling point without appearing to be boiling due to surface tension of the liquid. Visible bubbling or boiling when the container is removed from the microwave oven is not always present. **THIS COULD RESULT IN VERY HOT LIQUIDS SUDDENLY BOILING OVER WHEN A SPOON OR OTHER UTENSIL IS INSERTED INTO THE LIQUID.**
To reduce the risk of injury to persons:
- ① Do not overheat the liquid.
 - ② Stir the liquid both before and halfway through heating it
 - ③ Do not use straight-sided containers with narrow necks.
 - ④ After heating, allow the container to stand in the microwave oven for a short time before removing the container.
 - ⑤ Use extreme care when inserting a spoon or other utensil into the container.
25. **Read and follow specific microwave oven preparation instructions on food packages or containers (especially baby food). Above all, this is a cooking appliance designed to prepare food.**
26. Use only cooking utensils and accessories made for use in the microwave and specifically described in this manual.
27. Microwave oven manufacturers do not recommend deep fat frying or frying in a microwave oven. Hot oil can damage oven parts and utensils and even result in skin burns.
28. Plastic wrap : Use only those types designed for microwave oven use and avoid forming an air-tight seal. Fold back a small corner or cut a small slit to allow steam to escape.
29. Stay near the appliance while it is in use and check cooking progress frequently. Leaving the appliance unattended may result in overcooked food and possibly a fire in your oven.
30. **Foods cooked in liquids** (such as pasta) may tend to boil over more rapidly than foods containing less moisture. Should this occur, refer to the Care and Cleaning section for instructions on how to clean the inside of the oven.
31. Do not use a thermometer in food you are microwaving unless the thermometer is designed or recommended for use in the microwave oven.
32. Plastic cookware designed for microwave cooking is very useful, but should be used carefully. Even microwave-safe plastic may not be as tolerant of overcooking conditions as are glass or ceramic materials and may soften or char if subjected to short periods of overcooking. In longer exposures to overcooking, the food and cookware could ignite. For these reasons: 1) Use microwave-safe plastics only and use them in strict compliance with the cookware manufacturer's recommendations. 2) Do not subject empty cookware to microwaving. 3) Do not permit children to use plastic cookware without complete supervision.
33. **Do not store anything directly on top of the microwave oven surface when the oven is in operation.**
34. TV dinners may be microwaved in foil trays less than 3/4" deep; remove top foil cover and return tray to box. When using metal in microwave oven, keep metal at least 1 inch away from the sides of the oven.
35. Do not defrost frozen beverages in narrow necked bottles.
36. Cookware may become hot because of heat transferred from the heated food. Potholders may be needed to handle the cookware.
37. Do not try to melt paraffin wax in the oven. Paraffin wax will not melt in a microwave oven because it allows microwaves to pass through it.
38. Never use sharp-edged utensils in or near the oven.
39. Hot foods and steam can cause burns. Be careful when opening containers of hot food, including popcorn bags, cooking pouches and boxes. To prevent possible injury, direct steam away from hands and face.
40. Clean the vent hood often. Do not allow grease to build up on the hood or the filter.
41. Use care when cleaning the vent hood filter. Corrosive cleaning agents, such as lye-based oven cleaners, may damage the filter.
42. When flaming foods are under the hood, **turn the fan on.**

SAVE THESE INSTRUCTIONS

Installation Recommendations

Remove all packing materials both outside and inside the oven before using the oven. The oven requires free movement of air for proper operation. Do NOT block air vents located by the top air grill and underneath the oven.

Grounding Instructions

This appliance must be grounded. In the event of an electrical short circuit, grounding reduces the risk of electric shock by providing an escape wire for the electric current. This appliance is equipped with a cord having a grounding wire with a grounding plug. The plug must be plugged into a 120v, 15amp. outlet that is properly installed and grounded.

▲ WARNING - Improper use of the grounding plug can result in a risk of electric shock.

Consult a qualified electrician or service technician if the grounding instructions are not completely understood or if doubt exists as to whether the appliance is properly grounded.

Where standard two-prong wall receptacle is encountered, it is your personal responsibility and obligation to have it replaced with a properly grounded three-prong wall receptacle.

Do not under any circumstance cut or remove the third (ground) prong from the power cord. Do not use an adapter plug with this appliance. See pages 1 and 2 of the Installation Manual for acceptable extension cord specifications.

Interference Note

Microwave ovens generate radio frequency energy during operation and if not installed properly may cause interference to radio and television reception. You can determine if this unit is causing interference by turning it on and off while the interference is occurring. If interference occurs, it may be corrected by one or more of the following measures:

- ◆ clean door and seal surfaces of the oven;
- ◆ reorient the television or radio receiving antenna;
- ◆ the oven with respect to the television or radio receiver, and/or
- ◆ Plug the oven into a different outlet so that it and the television or radio receiver are on different circuits.

If the interference persists, you may want to consult an experienced radio/television technician for additional information.

Automatic Fan Protection feature

Cooking appliances installed under the microwave oven may, under some heavy usage conditions, cause temperatures high enough to overheat some internal parts of the microwave oven.

To prevent overheating from taking place, the exhaust fan is designed to automatically turn on at a low speed if

excessive temperatures occur. Should this happen, the fan cannot be manually turned off, but it will automatically turn off when the internal parts have cooled. The fan may stay on for up to an hour after the range and microwave oven controls have been turned off.

Microwaving Tips

- ◆ Make sure all cookware used in your microwave oven is suitable for microwaving. Most glass cooking dishes, measuring cups, custard cups, pottery or china dinnerware, which does not have metallic trim or glaze with metallic sheen, can be used.
- ◆ If you are not sure if a dish is microwave-safe, use this test: Place in the oven the dish you are testing and a glass measuring cup filled with one cup of water. Set the measuring cup either in or next to the dish.

Microwave 1 minute at high. If the dish heats, it should not be used for microwaving. If the dish remains cool and only the water in the cup heats, then the dish is microwave-safe.

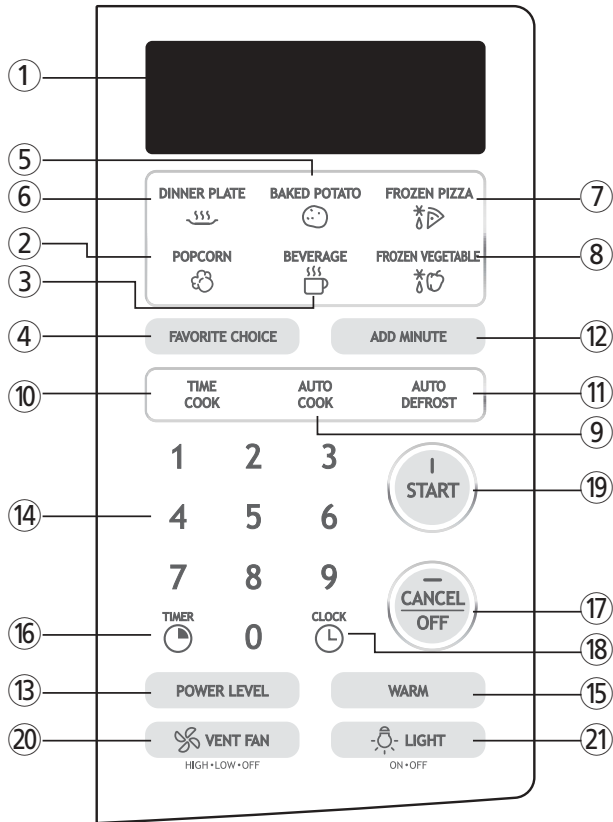
- ◆ Paper towels, waxed paper and plastic wrap can be used to cover dishes in order to retain moisture and prevent spattering. Be sure to vent plastic wrap so steam can escape.

Touch Control Panel

The Touch Control Panel allows you to set the oven controls with the touch of a finger. It's designed to be easy to use and understand.

1. **DISPLAY** - Displays time of day, time or temperature during cooking functions, power level being used, cooking mode and instructions.
2. **POPCORN** - Touch this pad to cook prepackaged microwave popcorn weighing 3.5 ounces. The oven will start automatically. (Page 12)
3. **BEVERAGE** - Touch this pad to reheat a beverage. The oven will start automatically. (Page 13)
4. **FAVORITE CHOICE** - Touch this pad to recall three cooking instructions placed in memory and to program sound level of signals, scroll speed and disable clock display. (Page 13)
5. **BAKED POTATO** - Touch this pad to cook 1-4 potatoes. The oven will start automatically. (Page 13)
6. **DINNER PLATE** - Touch this pad to reheat a dinner plate full of chilled leftovers. (Page 13)
7. **FROZEN PIZZA** - Touch this pad to heat frozen pizza. The oven will start automatically. (Page 13)
8. **FROZEN VEGETABLE** - Touch this pad to cook frozen vegetables. The oven will start automatically. (Page 14)
9. **AUTO COOK** - Will automatically compute the microwave power and cook time. Refer to Auto Cook Guide. (Page 14)
10. **TIME COOK** - Microwave for a selected amount of time.
 - ◆ Power Level 10 (High) is automatic but lower heat levels may be programmed. (Page 8)
11. **AUTO DEFROST** - Touch this pad and enter food weight, then **START**. The oven automatically sets power levels and defrosting time. (Page 10)
12. **ADD MINUTE** - Touch this pad for 1 minute of cook time, to add 1 minute of cook time as the timer is counting down or for an "instant on" for 1 minute. (Page 9)
13. **POWER LEVEL** - Touch this pad if you want to change from automatic Power Level 10 (High) for cooking. (Page 8-9)
14. **NUMBER PADS** - Touch these pads to enter cooking time, defrosting time, time of day, power level or food weights for Auto Defrost.
15. **WARM** - Touch this pad and safely keep food warm for up to 30 minutes. (Page 13)
16. **TIMER** - This feature uses no microwave energy. It functions as a kitchen timer, as a holding period after defrost or as a delay timer before time cooking. (Page 9)
17. **CANCEL/OFF** - When touched once, it pauses the oven operation. When touched twice, it shuts off the oven and erases all settings (except time of day).
18. **CLOCK** - Touch this pad to enter time of day or check time of day while microwaving. (Page 8)
19. **START** - After all selections are made, touch this pad to start the oven or timer.
20. **VENT FAN** - Touch this pad if you want to know the feature of key pad on the control panel. (Page 16)
21. **LIGHT** - Touch this pad to turn on or off the light. (Page 16)

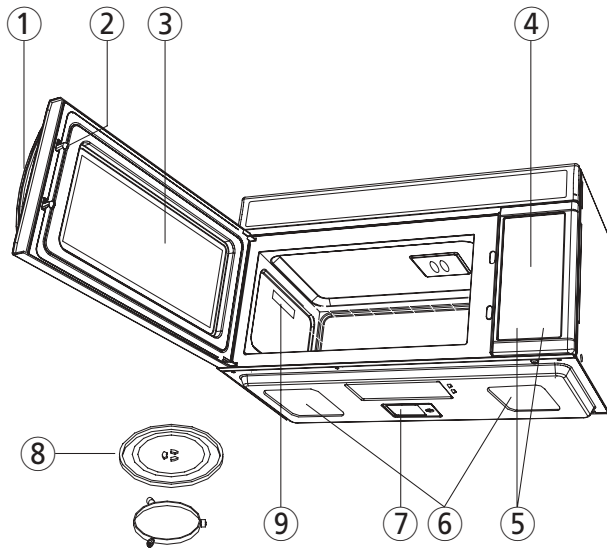
<MCO165UW/ MCO165UB>



- ◆ Each time a pad is touched, a BEEP will sound.
- ◆ When **CANCEL/OFF Pad** is touched during oven operation, the oven will stop, however, all programmed information is retained. To clear all information, touch the **CANCEL/OFF Pad** again.

NOTE: Styling and features may differ slightly depending on model.

Oven Features at a Glance



1. DOOR HANDLE - Pull to open door. Door must be securely latched for oven to operate.

2. DOOR LATCHES

3. WINDOW with METAL SHIELD - Screen allows cooking to be viewed while keeping microwaves confined in oven.

4. TOUCH CONTROL PANEL and DIGITAL DISPLAY - For detailed information on each feature, see Touch Control Panel section, page 5.

5. HOOD CONTROLS

Vent Fan - Press High, Low or Off

Light - Press On or Off

6. GREASE FILTERS

7. COOKTOP LIGHT

8. TURNTABLE - Composed of glass tray and roller guide. The roller guide is placed first in the bottom of the microwave and supports the glass tray. **Both parts must be in place when using the microwave oven.**

9. DATA PLATE - Located on the inside wall of the microwave oven.

Operating Basics

Time-of-Day Clock

Basic Instructions

1. Touch the **CLOCK Pad**.
2. Set the time of day by touching the appropriate numbers.
3. Touch the **CLOCK PAD**.

- ◆ After plugging in the oven or after a power outage, “88:88” will be displayed. Touch the **CANCEL/OFF PAD** and set the clock following the directions above.
- ◆ The “time-of-day” clock is a 12 hour clock.
- ◆ If set, the time of day will always be displayed when no other cooking function is being used.
- ◆ The time of day returns to the current time when the oven turns off.

Time Cook/Power Level

Basic Instructions

1. Touch the **TIME COOK Pad**.
2. Enter the cooking time by using the number pads.

For example, for 5 minutes touch number 5,0,0. The selected time will be displayed.

3. Touch the **START Pad** again.

- ◆ The cooking time will appear in the Display window.
- ◆ The oven will start cooking and time countdown will begin.
- ◆ The oven will stop automatically when the time is done and beep three times.
- ◆ When the cook time ends, “End” appears in the Display.

- ◆ Start with the shortest recommended time and add more time as needed.
- ◆ Check the food as it cooks.
- ◆ The oven door can be opened any time during operation. It will automatically stop and maintain the time setting until the door is closed and the **START Pad** is touched again.
- ◆ If the **START Pad** is touched and the oven does not operate, check the area between the door and door seal for obstructions. The oven will not start until the door is completely closed.

Note . . .

- ◆ *Full power is automatic. If you wish to use a different power level, touch the **POWER LEVEL Pad** before touching **START Pad**. Enter the power level desired by touching the appropriate number pad. The selected power level will be displayed. (See **Cooking Guide on page 9**).*

Operating Basics

Power Level Cooking Guide

The power levels on your microwave oven can be compared to the surface units on a range. High (power level 10) or full power is the fastest way to cook and gives you 100% power.

Each power level gives you microwave energy for a certain percent of time, for example, power level 7 is microwave energy 70% of the time. Most of your cooking will be done on High (Power Level 10). a lower setting will cook more evenly and with less attention given to stirring or rotating the food. Some foods may have better flavor, texture or appearance if one of the lower settings is used. You may wish to use a lower power level when cooking foods that have a tendency to boil over, such as scalloped potatoes. Cooking times will increase as power level decreases.

Power Level	Best Uses
High 10	Fish, bacon, vegetables, boiling liquids.
Medium 7	Gentle cooking of meat and Poultry, baking casseroles and reheating.
Medium 5	Slow cooking and tenderizing for stews and less tender cuts of meat.
Low 3	Defrosting, simmering, delicate sauces.
Warm 1	Keeping food warm without overcooking, softening butter.

Add Minute

The **ADD MINUTE Pad** provides a convenient way to heat foods at full power with one touch of a pad or add an extra minute to your cooking cycle while in progress.

The microwave starts automatically after the pad is touched.

ADD MINUTE cannot be used with **ONE TOUCH COOKING FUNCTIONS, AUTO DEFROST, TIMER, FAVORITE CHOICE** or **WARM**. Each time the pad is touched the oven will add 1 minute to the time up to 99 minutes.

Timer

Basic Instructions

1. Touch the **TIMER Pad**.
2. Enter desired time. The **Display** will show the selected time.
3. Touch the **START Pad**.

- ◆ The timer can be programmed up to 99 minutes and 99 seconds.
- ◆ Beeps signal the end of the timing operation.
- ◆ To stop the timer once it has started, touch the **CANCEL/OFF** pad. Display will return to the time of day.
- ◆ The timer cannot be set while cooking.
- ◆ The door must be shut for the timer to operate.

Auto Defrost

Use the defrost setting for defrosting meats, poultry and fish from 0.1 pounds to 6.0 pounds.

Basic Instructions

1. ◆ Touch the **AUTO DEFROST Pad** once for meat. "dF-1" Will be displayed.
 - ◆ Touch the **AUTO DEFROST Pad** twice for poultry. "dF-2" will be displayed.
 - ◆ Touch the **AUTO DEFROST Pad** three times for fish. "dF-3" will be displayed.
2. Touch number pads to enter the weight. *The defrosting time and power levels are automatically calculated.
3. Touch the **START Pad**.

* Enter the weight in pounds and tenths of a pound. See Conversion Chart below.

- ◆ During defrosting, the oven will beep a series of short beeps to signal that the food needs to be turned or rearranged.

Oven will continue operation if food is not turned or rearranged. Three beeps signal the end of defrosting. "End" appears in the **Display**.
- ◆ During defrosting meat and fish, the food needs to be turned or rearranged twice. During defrosting poultry, the food needs to be turned or rearranged once.

Conversion Chart

If weight is in ounces-	then weight is converted to tenths-of-a-pound.
1 to 2-oz.	0.1
3 to 4-oz.	0.2
5-oz.	0.3
6 to 7-oz.	0.4
8-oz.	0.5
9 to 10-oz.	0.6
11 to 12-oz.	0.7
13-oz.	0.8
14 to 15-oz.	0.9

Defrost by Time

Basic Instructions

1. Touch the **TIME COOK Pad**.
2. Enter defrosting time desired.
3. Touch the **POWER LEVEL Pad**.
4. Touch **NUMBER "3" Pad**.
5. Touch the **START Pad**.

Note . . .

- ◆ See page 11 for additional defrosting tips for both Auto and Time Defrost.

Operating Basics

Defrost by Time Guide (Power Level 3)

Items and Weight Time	Defrosting Time	Standing	Procedures and Techniques
Beef Ground Beef/1 lb. Ground Beef/2 lbs. Beef Roast, boneless/3 lbs. Steaks/1" thick	10-12 min. 18-20 min. 26-28 min. 7-8 min.	5 min. 8-12 min. 7-10 min. 5-7 min.	Break apart and remove thawed portions with fork. Break apart and remove thawed portions with fork. Turn over part way. Shield ends or thinner areas with foil. Separate and rearrange once.
Pork Pork Roast, boneless/3 lbs. Pork Chops/1 lb Ground Pork/1 lb. Spareribs/1 1/2 lbs.	20-22 min. 7-8 min. 10-12 min. 15-16 min.	10-15 min. 5-7 min. 5-7 min. 5-7 min.	Turn over part way. shield ends or thinner areas with foil. Separate and rearrange once. Break apart and remove thawed portions with fork. Turn meat over and rearrange, separate once.
Poultry Whole Chicken/3 lbs. Chicken Breasts boneless/1 lb. Chicken Thighs/2 lbs.	20-22 min. 7-8 min. 18-23 min.	10-15 min. 5-7 min. 8-13 min.	Turn chicken over. shield wing tips, leg ends and breast areas with foil. Breast side down. Separate and rearrange once. Separate and rearrange once.
Fish Fish Fillets/1 lb.	10-11 min.	5-7 min.	Separate and rearrange once. Shield as needed.

General Defrosting Tips

- Do not defrost covered meat. Covering might allow cooking to take place. Always remove outer wrap and tray. Place food on a microwave-safe rack in a dish.
- Begin defrosting whole poultry breast-side-down. Begin defrosting roasts fat-side-down.
- The shape of the package alters the defrosting time. Shallow rectangular shapes defrost more quickly than a deep block.
- Auto Defrost is programmed for specific weights. Defrost results will be affected if you enter an incorrect weight.
- Auto Defrost is programmed for frozen food at 0° F. If food is stored at a higher temperature, expect shorter defrost times.
- After 1/3 of the defrost time has elapsed, check the food. You may wish to turn over, break apart, rearrange or remove thawed portions of the food.
- During Auto Defrost, the oven will prompt you to turn the food over.** At this point, open oven door and check the food. Follow the techniques listed below for optimum defrost results. Then, close oven door, touch the START Pad to complete defrosting.
 - ◆ **Turn Over** : Roast, ribs, whole poultry, turkey breasts, hot dogs, sausages, steaks, or chops.
 - ◆ **Rearrange** : Break apart or separate steaks, chops, hamburger patties, ground meat, chicken or seafood pieces, chunks of meat such as stew beef.
 - ◆ **Shield** : Use small strips of aluminum foil to protect thin areas or edges of unevenly shaped foods such as chicken wings. To prevent arching, do not allow foil to come within 1-inch of oven walls or door.
 - ◆ **Remove** : To prevent cooking, thawed portions should be removed from the oven at this point. This may shorten defrost time for foods weighing less than 3-lbs.
- After defrosting, allow food to stand 5 to 10 minutes if there are any icy areas. If large solid roasts, such as sirloin tip or rump roasts, are not completely thawed after standing, return roast to oven and program **Auto Defrost** for 1 lb.

Two Stage Cooking

This feature lets you program two sequential operations such as defrosting and cooking or cooking using two different power levels. It automatically changes power settings and cooking time.

Basic Instructions

1. Touch the **TIME COOK Pad**.
2. Touch the appropriate number pads to enter the cooking time. The selected time will be displayed.
3. Touch the **POWER LEVEL Pad**.
4. Touch the number pad for the power level you desire. The selected power level will be displayed.
5. Touch the **TIME COOK Pad** again.
6. Touch the appropriate number pads to enter the cooking time for the second stage of cooking. The selected time will be displayed.
7. Touch the **POWER LEVEL Pad**.
8. Touch the number pad for the power level you desire. The selected power level will be displayed.
9. Touch the **START Pad**.

Special Features

Popcorn

Basic Instructions

Touch the **POPCORN Pad** once for 3.5 oz. package. "3.5" will be displayed.

- ◆ The POPCORN Pad has been automatically set for the correct cook time for a 3.5 oz. bag of popcorn.
- ◆ Listen as the popcorn pops and stop the microwave when the popping slows down to 3 seconds apart.
- ◆ Do not try to repop unpopped kernels or reuse a bag.
- ◆ Pop only one package at a time.

CAUTION: If prepackaged popcorn is a different weight than the recommended weight, do not use the **POPCORN Pad**. Inadequate popping or a fire may occur. Follow manufacturer's instructions.

CAUTION: Do not place bag directly on the turntable tray, place bag on microwavable dish when cooking.

Special Features

Dinner Plate

Basic Instructions

1. Touch the **DINNER PLATE Pad**.
2. The Display will show "12".

- ◆ The programmed time (2:40) will show in the **Display**.
- ◆ Place meat and dense vegetables to the outside of the plate.
- ◆ Place delicate foods in the center of the plate.
- ◆ Cover the plate with wax paper to hold steam around most foods except rare meats or vegetables with crisp exteriors.

Frozen Pizza

Basic Instructions

1. Touch the **FROZEN PIZZA Pad**.
2. The Display will show "8".

- ◆ The programmed time (3:00) will show in the **Display**.
- ◆ Cook only one pizza at a time.
- ◆ Follow manufacturer's directions.
- ◆ Use only frozen pizza labeled microwaveable.
- ◆ If cheese pizza does not melt sufficiently, cook a few seconds longer.

Beverage

Basic Instructions

1. Touch the **BEVERAGE Pad** once for 1 cup (8 oz.)/mug. The **Display** will show "1CUP".
2. Touch the **BEVERAGE Pad** twice for 2 cups (16 oz.)/mugs. The **Display** will show "2CUP".
3. Touch the **BEVERAGE Pad** three times for 3 cups (24 oz.)/mugs. The **Display** will show "3CUP".

Baked Potato

Basic Instructions

1. Touch the **BAKED POTATO Pad**:
 - ◆ once for 1 medium potato (7 oz.)
 - ◆ twice for 2 medium potatoes (14 oz.)
 - ◆ three times for 3 medium potatoes (21 oz.)
 - ◆ four times for 4 medium potatoes (28 oz.)
 - ◆ The **Display** will show "1 EA", "2 EA", "3 EA" or "4 EA"

Warm

Basic Instructions

1. Touch the **WARM Pad**. The **Display** will show "HEAT".
2. Touch the **START Pad**.

- ◆ The microwave oven will safety keep cooked foods warm for up to 30 minutes.
- ◆ Opening the door or touching the **CANCEL/OFF Pad** cancels the **WARM** setting.
- ◆ Foods that were covered during cooking should be covered during warming.
- ◆ Complete meals on a dinner plate should be covered.

Favorite Choice

To Program and Change Favorite choice Setting:

1. Touch the **TIME COOK Pad**. Enter cooking time.
2. Touch the **POWER LEVEL Pad**.
3. Enter power level. Example "5" for 50% power level.
4. Touch the **FAVORITE CHOICE Pad**.
5. Touch the **START Pad** to place in memory.

When a program has been entered, "SAVE" will appear in the **Display** to let you know that the program has been entered.

NOTE: Repeat steps 1-5 for **FAVORITE CHOICE Programs 2 and 3**.

To Use Favorite Choice:

1. Put food in oven and close door.
2. Touch **FAVORITE CHOICE Pad** "FC-1" will appear in the **Display**.
 - ◆ To select program 2 or 3 press **FAVORITE CHOICE Pad** until desired program number appears in the **Display**.
3. Touch the **START Pad**.

To Program Favorite Choice Signal Sound, and Clock Display:

Touch **FAVORITE CHOICE Pad** four times "Opt" will be displayed.

To Change Signal Sound:

- ◆ Touch number pad 1. Beep will sound.
- ◆ Touch number pad 2. "MUTE" indicator will be lighted.
The buzzer will not be operated.

To Turn Clock Display On/Off:

- ◆ Touch number pad 3. After "On" is displayed for 2 seconds, the time of day will be displayed.
- ◆ Touch number pad 4. After "OFF" is displayed for 2 seconds, the display will go blank.

Frozen Vegetable

Basic Instructions

1. Touch the **FROZEN VEGETABLE Pad** once for 8 oz. frozen vegetable. The **Display** will show "8"
2. Touch the **FROZEN VEGETABLE Pad** twice for 10 oz. frozen vegetable. The **Display** will show "10".
3. Touch the **FROZEN VEGETABLE Pad** three times for 16 oz. frozen vegetable. The **Display** will show "16".
4. Touch the **FROZEN VEGETABLE Pad** four times for 20 oz. frozen vegetable. The **Display** will show "20".

Auto Cook

Basic Instructions

1. Touch the **AUTO COOK Pad** until the desired food is displayed. *
2. Touch the number pad indicated on the **Cooking Guide** for the cooking weight desired.*
3. Touch the **START Pad**.

* See the following chart or the *Cooking Guide Label* on the front of the oven cavity.

- ◆ Auto Cook has preset times and power levels for four food categories: Soup, Fresh Vegetables, Muffins and Fish Fillets.
- ◆ The **DISPLAY** counts down the cooking time.

Auto Cook Guide

FOOD	TOUCH AUTO COOK PAD	NUMBER PAD	QUANTITY	DISPLAY
Soup	Once	1	8 oz.	AC-1
		2	16 oz.	
		3	24 oz.	
		4	32 oz.	
Fresh Vegetables	Twice	1	4 oz.	AC-2
		2	8 oz.	
		3	12 oz.	
		4	16 oz.	
Muffins	Three Times	1	2 ea.	AC-3
		2	4 ea.	
		3	6 ea.	
		4	8 ea.	
Fish Fillets	Four Times	1	4 oz.	AC-4
		2	8 oz.	
		3	12 oz.	
		4	16 oz.	

Cooking Tips and Techniques

- ◆ For best results, cover container with plastic wrap and turn back one edge of the wrap to form a 1/2-inch slot where steam can escape.
- ◆ After cooking fresh vegetables, allow 3-5 minutes of stand time before serving. This will allow the food to finish cooking without overcooking.
- ◆ When preparing fresh vegetables, add 1/2 cup of water per 1/2 pound of fresh vegetables.

Special Features

Auto Start

The AUTO START feature allows you to program your oven to begin cooking at a preset time of day - up to a delay of 11 hours and 59 minutes. You can program two sequential operations using two different power levels.

Basic Instructions

1. Touch the **TIME COOK Pad**.
2. Enter the cooking time.
3. Touch the **POWER LEVEL Pad**.
4. Enter the Power level.
5. Touch the **TIME COOK Pad**.
6. Enter the cooking time.
7. Touch the **POWER LEVEL Pad**.
8. Enter the power level.
9. Touch the **CLOCK Pad**.
10. Enter the clock time you want the oven to start.
11. Touch the **START Pad**.

- ◆ Do not use foods containing baking powder or yeast when using **AUTO START**. They will not rise properly.
- ◆ **Warning:** Do not use foods that will spoil while waiting for cooking to start, such as dishes with milk or eggs, cream soups and cooked meats or fish. Any food that has to wait for cooking to start should be very cold or frozen before it is put in the oven. Unfrozen foods should never stand more than two hours before cooking starts. Do not allow food to remain in the oven for more than two hours after end of cooking cycle.

Tips on setting Auto Start:

- ◆ Before setting, check that the correct time of day is displayed.
- ◆ If you hear the fan start when you touch the **START Pad**, you have not set the oven properly. Touch the **CANCEL/OFF Pad** and start over.

Delay Start

The DELAY START feature allows you to program your oven to begin cooking after specific time - up to a delay of 99 minutes 99 seconds. You can program two sequential operations using two different power levels.

Basic Instructions

1. Touch the **TIMER Pad**.
2. Enter desired time you want the oven to delay.
3. Touch the **TIME COOK Pad**.
4. Enter the cooking time.
5. Touch the **POWER LEVEL Pad**.
6. Enter the power level.
7. Touch the **TIME COOK Pad**.
8. Enter the cooking time.
9. Touch the **POWER LEVEL Pad**.
10. Enter the power level.
11. Touch the **START Pad**.

More or Less Time Adjustment

You may increase or decrease any of the pre-set settings for the ONE TOUCH COOKING FEATURES if you prefer more or less cooking time.

To Adjust the Pre-set Settings:

1. Touch the **POWER LEVEL Pad** once to increase the time by 20 seconds or twice to decrease the time by 20 seconds.
2. Touch the desired **ONE TOUCH COOKING Pad**.

Control Lockout

The oven operation can be locked to prevent the microwave from accidentally being turned on. All oven functions can be locked.

To Set:

Touch and hold the **CANCEL/OFF Pad** for three seconds. The Display shows "Loc" and the oven beeps.

To Cancel:

Touch and hold the **CANCEL/OFF Pad** for three seconds. "Loc" disappears from the **Display** and the oven beeps.

Using the Vent Fan

You can control the 2-speed fan by touching the **VENT FAN Pad**.

Basic Instructions

1. Touch the **VENT FAN Pad** once for **HIGH** speed.
The Display will be "Hi".
2. Touch the **VENT FAN Pad** twice for **LOW** speed.
The Display will be "Lo".
3. Touch the **VENT FAN Pad** three times for turning vent fan off.
The Display will be "OFF".

To Set Fan to Run for a Specific Time:

1. Start fan by touching the **VENT FAN Pad**.
2. Program run time.
◆ Touch the **TIMER Pad** and hold for 3 seconds.
3. Enter desired time.
4. Touch the **START Pad**.

To Cancel Timer:

- ◆ Touch **CANCEL/OFF Pad**.

Note . . .

- ◆ Canceling the timer will cause the timer to shut off; however, canceling the timer will not cancel the fan. The fan will continue to operate until turned off.

Using the Cooktop Light

You can control the light by touching the **LIGHT Pad**.

Basic Instructions

1. Touch the **LIGHT Pad** once for turning the cooktop light on.
The Display will be "On".
2. Touch the **LIGHT Pad** twice for turning the light off. The Display will be "OFF".
◆ If there is no user input for 10 hours, cooktop light and vent fan will turn off automatically to save energy.

Care and Cleaning

Microwave Oven Interior

The oven interior should be cleaned after each use with a damp cloth to keep it free from grease and soil buildup. Stubborn soils can be removed with a plastic scrub pad. When cleaning interior surfaces and surfaces of door and oven that come together when the door is closed, use only mild, non-abrasive soaps or detergents applied with a sponge or soft cloth. Odors can be eliminated from the inside of the oven by boiling a solution of one cup of water and several tablespoons of lemon juice in the oven for 5-7 minutes. This also helps loosen any dried soil in the oven. Wipe off excess moisture after use.

Note . . .

- ◆ **Do not** spray or pour liquid cleansers directly onto a surface. Spray or pour cleanser onto a cloth or sponge and then clean.
- ◆ **Do not** use abrasive cleaners, oven cleaners, abrasive cleaning pads or steel wool, as they can scratch or dull oven surfaces.
- ◆ **Do not** remove or insert knife around the stirrer cover to clean, it may damage the cover or affect the cooking performance of your oven.

Oven Bottom

Wash oven bottom with hot sudsy water, rinse and dry. Do not use excessive amounts of water when cleaning the oven, especially around the turntable. Do not allow water or cleaning agents to seep into turntable gears located underneath.

Glass Tray/Turntable

Allow to cool before removing and cleaning. Wash in soapy water or dishwasher.

Roller Guide

Clean frequently to prevent excessive noise. Wash in soapy water or dishwasher.

Oven Exterior

Wipe the outside of your oven with a soapy cloth, rinse and dry. Do not use abrasive cleaners. They may scratch the surface.

Light Compartment

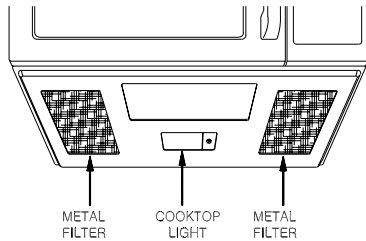
Clean off the grease and dust on the light compartment cover on the bottom side of the microwave oven often with warm water and detergent.

Control Panel

Wipe with a damp cloth. Dry. Do not spray cleaners directly on panel. Spray cleaners on cloth and then wipe.

The Exhaust Feature

The exhaust hood feature on your microwave oven is equipped with two metal filters which collect grease. When the fan is operating, air is drawn up through the filters and is then discharged through the venting to the outside or through the charcoal filters if not vented to the outside.

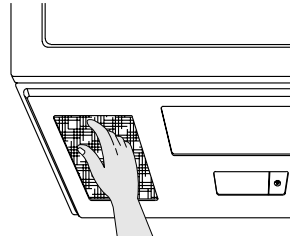


Reusable Grease Filters

The reusable grease filters should be cleaned at least once a month. Never operate the microwave without the filters in place. In situations where flaming might occur on surfaces below the hood, filters will stop the entry of flames into the unit.

To Remove Grease Filter

To remove grease filter, grasp the “finger hold” on the filter and slide to the rear. Then pull filter downward and to the left. The filter will drop out.



To clean Grease Filter

To clean grease filters, soak and then agitate filter in solution of hot water and detergent. Do not use ammonia or ammonia products because they will darken the metal. Light brushing can be used to remove embedded dirt. Rinse, shake and remove moisture before replacing.

To Replace Grease Filter

To replace grease filter, slide the filter in the frame slot on the right of the opening. Pull filter upward and to the left to lock into place.

Care and Cleaning

Light Bulb Replacement

Cooktop Light

To replace the combination cooktop light/night light:

1. Disconnect power at main fuse or circuit breaker or pull plug.
2. Remove screw on right side of light compartment cover and lower cover until it stops. (See Figures 1 and 2.)
3. Gently unscrew the bulb(s). Be sure bulb(s) to be replaced are cool before removing.
4. Replace with 30-watt incandescent bulb(s) available from your authorized dealer. High intensity 30-watt bulb(s) which are available in supermarkets and hardware stores, may also be used for replacements.
5. Raise light compartment cover and replace screw.
6. Connect electrical power to microwave oven.

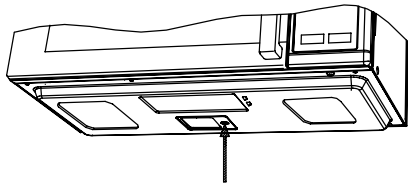


FIGURE 1

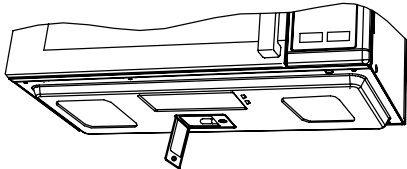


FIGURE 2

Oven Light

To replace oven light:

1. Disconnect power at main fuse or circuit breaker or pull plug.
2. Remove the top grill by taking out the 2 screws that hold it in place. (See Figures 3.)
3. Remove a screw (1) for lamp cover. (See Figure 4.)
4. Pull out the Lamp cover. (See Figure 4.)
5. Replace the light bulb with a 30-watt bulb.
6. Replace light housing to original position
7. Replace lamp cover and secure it with the screw (1).
8. Replace top grill and secure with screws.
9. Connect electrical power.

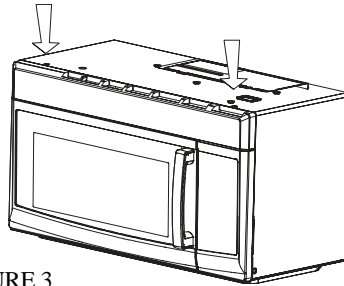


FIGURE 3

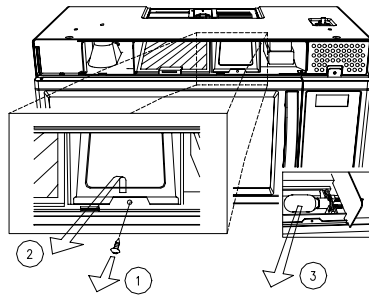


FIGURE 4

Common Questions and Answers

Q & A

Q. Can I open the door when the oven is operating?

A. The door can be opened anytime during the cooking operation. The oven will automatically stop cooking and the time setting will maintain until the door is closed and the **START Pad** is touched.

Q. What causes the oven interior light and display to dim when using a Variable Power Level?

A. This is normal and indicates the oven is operating and cycling properly.

Q. Why does steam and/or vapor escape around the door and moisture droplets form on the inside of the oven door?

A. This is normal occurrence - as food cooks, steam is given off.

Q. What do the various beeps mean?

A. Short beep = any pad is touched.

Three short beeps = incorrect entry.

One long beep = oven plugged in.

Three long beeps = end of cooking (microwave will turn off).

Series of three short beeps = check food to see if turning or rearranging is needed.

Q. Can the oven be used with the glass tray or roller guide removed?

A. No. Both the glass tray and roller guide must always be used in the oven when cooking.

All these things are normal with your microwave oven.

- ◆ Steam or vapor escaping from around the door.
- ◆ Light reflection around the door or outer case.
- ◆ Dimming oven light and change in blower sound may occur while operating at power levels other than high.
- ◆ Dull thumping sound while oven is operating.

Charcoal Filter Kit

There is a recirculating charcoal filter kit included for models that are not vented to the outside. See installation guide for details.

Before You Call

Check the following to be sure a service call is necessary:

If nothing on the oven operates:

- ◆ check for a blown circuit fuse or a tripped main circuit breaker.
- ◆ check if oven is properly connected to electric circuit in house.
- ◆ check that controls are set properly.
- ◆ check that the cooking time is set.

If the oven interior light does not work:

- ◆ The light bulb may be loose or defective. See page 20 or call a qualified servicer.

If oven will not cook:

- ◆ check that control panel was programmed correctly.
- ◆ check that door is firmly closed.
- ◆ check that **START Pad** was touched.
- ◆ **Auto Start** may have been set.
- ◆ the **Control Lockout** may have been set
- ◆ check the area between the door and seal for obstructions.

If oven takes longer than normal to cook or cooks too rapidly:

- ◆ be sure the **Power Level** is programmed properly.
- ◆ check instructions on food density, etc.
- ◆ verify that voltage to the microwave oven is not low.

If the time-of-day clock does not always keep correct time:

- ◆ check that the power cord is fully inserted into the outlet receptacle.
- ◆ check that the oven is properly grounded.
- ◆ try plugging the oven into an outlet on a separate electrical circuit.

If oven floor or glass tray are hot:

- ◆ this is normal. The floor is absorbing heat from the food.

If the interior of oven collects moisture:

- ◆ this is normal. Food gives off moisture when cooking and the steam collects on the door and the oven surface. Wipe off excess moisture from oven after each use.

If food cooks unevenly:

- ◆ refer to your recipe for proper cooking procedures.
- ◆ be sure food is evenly shaped.
- ◆ be sure food is completely defrosted before cooking.
- ◆ check placement of aluminum strips used to prevent overcooking.

If food is undercooked:

- ◆ check recipe to be sure all directions (amount, time, and power levels) were correctly followed.
- ◆ check household voltage.
- ◆ try plugging the oven into an outlet on a separate electrical circuit.
- ◆ be sure food was completely defrosted before cooking.

If food is overcooked:

- ◆ check recipe to be sure all directions (amount, time, and power levels) were correctly followed.
- ◆ the initial temperature of food may have been higher than normal.

If arcing (sparks) occur:

- ◆ be sure microwave-safe dishes were used.
- ◆ be sure wire twist ties were not used.
- ◆ be sure oven was not operated when empty.

If the display shows a time counting down but the oven is not cooking:

- ◆ check that door is firmly closed.



Microwave Oven Warranty

MC Appliance corp. warrants each new Microwave Oven to be free from defects in material and workmanship and agrees to remedy any such defect or to furnish a new part(s) (at the company's option) for any part(s) of the unit that has failed during the warranty period. Parts and labor expenses are covered on this unit for a period of one year after the date of purchase. In addition MC Appliance corp. warrants the Magnetron (parts only) to be free from defects in material and workmanship for a period of 8 years. The consumer is responsible for all labor and transportation expenses related to the diagnosis and replacement of the Magnetron after the initial one- year warranty expires. If in the event the unit requires replacement or refund under the terms of this warranty the consumer is responsible for all transportation expenses to return the unit to our factory prior to receiving a replacement unit or refund. **A copy of the dated sales receipt / invoice is required to receive warranty service, replacement or refund.**

This warranty covers appliances in use within the continental United States, Puerto Rico and Hawaii. The warranty does not cover the following:

- Damages due to shipping damage or improper installation.
- Damages due to misuse or abuse.
- Content losses due to failure of the unit.
- Repairs performed by unauthorized service agents.
- Service calls that do not involve defects in material and workmanship such as instruction on proper use of the product or improper installation.
- Replacement or resetting of house fuses or circuit breakers.
- Failure of this product if used for other than its intended purpose.
- Disposal cost of failed units not returned to our factory.
- Any delivery / installation costs incurred as the result of a unit that fails to perform as specified.
- Expenses for travel and transportation for product service if your appliance is located in a remote area where service by an authorized service technician is not available.
- The removal and reinstallation of your appliance if it is installed in an inaccessible location or is not installed in accordance with published installation instructions.

This warranty is in lieu of all warranties expressed or implied and no representative or person is authorized to assume for us any other liability in connection with the sale of this product. Under no circumstances is the consumer permitted to return this unit to the factory without prior written consent from MC Appliance corp.

Model	Parts	Labor	Magnetron (Part Only)	Type of Service
MCO165UW	One-Year	One-Year	Eight Years	In- Home
MCO165UB				

**For Service or Assistance please call 888 775-0202
Or visit us on the web at www.mcappliance.com**

Horno de Microondas

Guía del Usuario

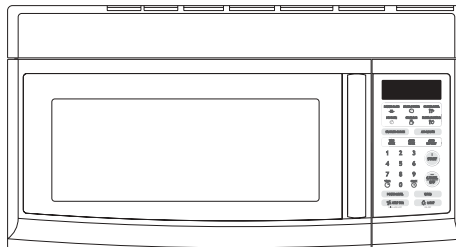
MCO165UW / MCO165UB

Tabla de Materias

Introducción	1
Instrucciones Importantes sobre Seguridad	2~4
Recomendaciones para la instalación	5
Característica de Protección Automática del Ventilador	6
Sugerencias para Cocinar en el Microondas	6
Panel de Control Sensible al Tacto ...	7~8
Características Generales del Horno	9
Funciones Básicas	10~15
Características Especiales	15~21
Cuidado y Limpieza	22~24
Preguntas y Respuestas	25
Antes de Solicitar Servicio	26
Garantía	27

INSTRUCCIÓN IMPORTANTE DE SEGURIDAD

Nunca funcione el horno cuando es vacío o sin la plato giratorio de cristal.



Introducción

Felicitaciones por su compra de un horno de microondas para ser instalado sobre la estufa. A fin de obtener mejores resultados, le sugerimos leer atentamente esta guía. En ella encontrará instrucciones sobre el funcionamiento y mantenimiento apropiado de su microondas.

PRECAUCIONES PARA EVITAR POSIBLE EXPOSICION A UN EXCESO DE ENERGIA MICROONDAS

- A. No** intente hacer funcionar este horno con la puerta abierta pues se puede producir exposición peligrosa a la energía microondas. Es importante no modificar ni manipular indebidamente los entrecierres de seguridad.
- B. No** coloque ningún objeto entre la parte delantera del horno y la puerta ni permita que se acumule suciedad o residuos de limpiadores en las superficies de sellado.
- C. No** haga funcionar el horno si está dañado. Es particularmente importante que la puerta del horno cierre correctamente y que no haya daño en: (1) la puerta (doblada), (2) bisagras y pestillos (rotos o sueltos), (3) los sellos de la puerta y las superficies de sellado.
- D.** El horno no debe ser ajustado ni reparado por ninguna persona a excepción de personal de servicio debidamente calificado.

INSTRUCCIONES IMPORTANTES SOBRE SEGURIDAD

Cuando se usan equipos eléctricos deben seguirse ciertas reglas básicas de seguridad, incluyendo lo siguiente:

▲ ADVERTENCIA - Para reducir el riesgo de quemaduras, choque eléctrico, incendio, lesiones personales o exposición a energía microondas excesiva:

1. Lea todas las instrucciones antes de usar este electrodoméstico.
2. Lea y siga las "PRECAUCIONES PARA EVITAR POSIBLE EXPOSICION A UN EXCESO DE ENERGIA MICROONDAS" que se encuentran en la página 1.
3. Este electrodoméstico debe ser puesto a tierra. Enchufe solamente en un tomacorriente debidamente puesto a tierra. Ver "INSTRUCCIONES SOBRE LA PUESTA A TIERRA" en la página 5.
4. Instale o ubique este artefacto de acuerdo con las instrucciones de instalación provistas. No lo instale sobre un fregadero.
5. **Este horno de microonda es UL enumerada para el excedente de la instalación eléctrica y las gamas del gas.**
Este horno ha sido diseñado para ser instalado sobre estufas cuyo ancho no sea superior a 76 cm (30 pulgadas).
6. **Para un mejor funcionamiento, enchufe este artefacto en su propio tomacorriente eléctrico, a fin de evitar parpadeo de las luces, fundido de los fusibles o disparo del disyuntor.**
7. Algunos productos tales como huevos enteros y envases sellados- por ejemplo, frascos cerrados, pueden explotar y no deben ser calentados en este horno. En raras circunstancias, se ha sabido que los huevos hervidos explotan. Cubra los huevos hervidos y déjelos reposar durante un minuto antes de cortarlos.
8. Los alimentos con la piel entera tales como las papas, salchichas, tomates, manzanas, hígados de pollo y otras menudencias y yemas de huevo (ver la advertencia anterior) deben ser perforados para dejar escapar el vapor durante la cocción. Las bolsa de cocinar "hervibles" y las bolsas de plástico herméticamente selladas deben ser rasgadas, agujereadas o ventiladas.
9. No caliente, almacene o use materiales inflamables dentro o cerca del horno. Los vapores pueden crear un peligro de incendio o explosión.
10. Use este artefacto solamente para el uso a que fue destinado como se describe en esta guía. No use productos químicos o vapores corrosivos en este artefacto. Este tipo de horno ha sido específicamente diseñado para calentar, cocinar o descongelar alimentos. No ha sido diseñado para uso industrial, en laboratorios o uso comercial. Está destinado para uso doméstico solamente.
11. Al igual que con cualquier otro artefacto, es necesario una supervisión estricta cuando es usado por los niños.
12. No haga funcionar este artefacto si el cordón eléctrico o el enchufe están dañados, si no está funcionando en forma debida o si ha sido dañado o dejado caer.
13. Este artefacto debe ser reparado solamente por personal de servicio calificado. Póngase en contacto con su centro de servicio autorizado más cercano para revisar, reparar o ajustar el horno.
14. No cubra ni bloquee ninguna abertura de este artefacto.
15. No use ni guarde este artefacto a la intemperie. No use este producto cerca del agua - por ejemplo, cerca del fregadero de la cocina, en un sótano húmedo, cerca de una piscina o de lugares similares.
16. No sumerja el cordón o el enchufe en agua.
17. Mantenga los cordones eléctricos lejos de las superficies calientes.
18. No deje que el cordón eléctrico cuelgue sobre el borde de la mesa o del mesón.

INSTRUCCIONES IMPORTANTES SOBRE SEGURIDAD

... continuación

19. Cuando limpie las superficies de la puerta y del horno que entran en contacto cuando se cierra la puerta, use solamente jabones o detergentes no abrasivos aplicándolos con una esponja o con un paño suave.
20. Para reducir el riesgo de incendio en el compartimiento del horno:
- a. No cocine demasiado los alimentos. Vigile cuidadosamente el artefacto si se ha colocado papel, plástico u otros materiales combustibles dentro del horno a fin de facilitar la cocción. Evite usar productos de papel reciclado. No use periódicos ni ningún otro papel impreso en el horno. Tales productos algunas veces contienen impurezas que pueden encenderse.
 - b. Retire las ataduras de las bolsa de papel o plástico, antes de colocarlas en el horno.
 - c. Si los materiales dentro del horno se encendieran, mantenga la puerta del horno cerrada, apague el horno y desenchufe el cordón o corte la corriente eléctrica en el fusible o en el panel del disyuntor.
 - d. No use el horno para almacenamiento. No deje productos de papel, utensilios de cocina ni alimentos en el horno cuando no está en uso.
 - e. No prepare 'popcorn' (palomitas de maíz) excepto en un utensilio para preparar popcorn aprobado para microondas o en envases comerciales recomendados especialmente para hornos de microondas.
 - f. No cocine demasiado las papas. Se pueden deshidratar y encenderse.
 - g. No use el horno para secar ropas, ropa de cama, periódicos o artículos similares que no son alimentos.
21. **No haga funcionar el horno cuando esté vacío o con un utensilio vacío para evitar daño al horno y peligro de incendio.**
22. No se apoye en la puerta del horno. La puerta está diseñada para cerrar herméticamente y sellar en forma debida para un funcionamiento seguro. Al apoyarse en la puerta, puede doblar o romper las bisagras.
23. A fin de evitar la exposición a alto voltaje peligroso, **NO RETIRE EL PROTECTOR CONTRA SALPICADURAS** del interior del compartimiento del horno.
24. Los líquidos, tales como agua, café, o té pueden ser recalentado más allá del punto que hierve sin aparecer ser el hervir debido a la tensión de superficie del líquido. El burbujear visible o hervir cuando el envase se quita del horno de microonda no está siempre presente.
- ESTO PODRÍA DAR LUGAR A LOS LÍQUIDOS MUY CALIENTES QUE HERVÍAN REPENTINAMENTE EI EXCEDENTE CUANDO LA CUCHARA O EI OTRO UTENSILIO SE INSERTA EN EI LÍQUIDO.
- Para reducir el riesgo de lesión a las personas:
- a) No recaliente el líquido.
 - b) Revuelva el líquido antes y a medio camino a través de la calafacción él
 - c) No utilice los envases recto-echados a un lado con los cuellos estrechos.
 - d) Después de calentar, permita que el envase esté parado en el horno de microonda por un tiempo corto antes de quitar el envase.
 - e) Utilice el cuidado extremo al insertar la cuchara o el otro utensilio en el envase.
25. **Lea y siga las instrucciones específicas para preparación en hornos de microondas alimentos envasados o frascos (especialmente comida de bebé). En primer lugar, este es un artefacto diseñado para preparar alimentos.**
26. Use solamente utensilios y accesorios de cocina fabricados para uso en microondas y específicamente descritos en esta guía.
27. Los fabricantes de microondas no recomiendan el uso de freidoras o freír en el horno de microondas. El aceite caliente puede dañar las

piezas del horno y los utensilios y asimismo causar quemaduras de la piel.

28. Envolturas de plástico: Use solamente aquellos tipos diseñados para horno de microondas y evite formar un sello hermético. Doble hacia atrás una esquina pequeña o haga un pequeño corte para permitir que salga el vapor.
29. Manténgase cerca del artefacto cuando está en uso y verifique a menudo el progreso de la cocción. Si deja el artefacto desatendido, los alimentos se puede recocer y posiblemente producir un incendio en el horno.
30. **Los alimentos cocinados a líquido** (tales como los fideos) tienden a hervir más rápidamente que los alimentos que contienen menos humedad. Si esto ocurre, consulte la sección Cuidado y Limpieza para obtener instrucciones sobre como limpiar el interior del horno.
31. No use un termómetro en el alimento que usted va a preparar en el microondas a menos que el termómetro haya sido diseñado o recomendado para uso en un horno de microondas.
32. Los utensilios de cocina de plástico diseñados para usar en el microondas son muy útiles pero deben ser usados con cautela. Aún los plásticos resistentes al microondas no pueden tolerar bien las condiciones de sobrecocción, como pueden hacerlo los materiales de cerámica o vidrio y a menudo pueden ablandarse o quemarse si son sujetos a períodos cortos de sobrecocción. En exposiciones más prolongadas a sobrecocción, el alimento y el utensilio pueden encenderse. Por estas razones: 1) Use solamente plásticos resistentes al microondas y úselos en estricto cumplimiento con las recomendaciones del fabricante de los utensilios. 2) No exponga los utensilios vacíos a la energía del microondas. 3) No permita que los niños usen utensilios plásticos sin estar completamente supervisados.
33. **No guarde nada directamente sobre la superficie del horno de microondas cuando el horno esté en funcionamiento.**
34. Los alimentos instantáneos pueden ser colocados en el microondas en bandejas de aluminio que tengan una profundidad inferior a 19 mm (3/4 de pulgada); retire la cubierta de papel de aluminio y coloque la bandeja nuevamente en la caja. Cuando use metal en el horno de microondas, mantenga el metal por lo menos a 2,5 cm (1 pulgada) de los lados del horno.
35. No descongele bebidas congeladas en botellas de cuello angosto.
36. Los utensilios pueden calentarse debido a la transferencia de calor del alimento calentado. Es necesario usar tomaollas para manipular los utensilios de cocina.
37. No trate de derretir cera de parafina en el horno. La cera de parafina no se derretirá en un horno de microondas pues deja que las microondas pasen a través de ella.
38. Nunca use utensilios afilados cerca o dentro del horno.
39. Los alimentos y el vapor caliente pueden causar quemaduras. Tenga cuidado cuando abra los contenedores con alimentos calientes incluyendo bolsas de palomitas de maíz, bolsas y cajas de cocinar. Para evitar posibles lesiones dirija el vapor lejos de las manos y de la cara.
40. Limpie a menudo la campana de ventilación. No permita que se acumule grasa en la campana o en el filtro.
41. Tenga cuidado cuando limpie el filtro de la campana de ventilación. Los agentes de limpieza corrosivos, tales como limpiadores de horno a base de lejía pueden dañar el filtro.
42. Cuando prepara alimentos flameados bajo la campana, **gire el ventilador.**

CONSERVA ESTAS INSTRUCCIONES

Recomendaciones para la Instalación

Retire todos los materiales de empaque tanto del exterior como del interior del horno antes de usarlo. El horno requiere movimiento libre del aire para su funcionamiento correcto. NO bloquee los respiraderos ubicados cerca de la rejilla de aire superior y debajo del horno.

Instrucciones Sobre la Puesta a Tierra

Este artefacto debe ser puesto a tierra. En caso de un cortocircuito eléctrico, la puesta a tierra reduce el riesgo de sufrir un choque eléctrico proporcionando un alambre de escape para la corriente eléctrica. Este artefacto está equipado con un cordón eléctrico que tiene un alambre de puesta a tierra con un enchufe de puesta a tierra. El cordón debe ser enchufado en un tomacorriente de 120V, 15 amp. debidamente instalado y puesto a tierra.

▲ ADVERTENCIA - El uso incorrecto del enchufe de puesta a tierra puede resultar en un riesgo de choque eléctrico.

Consulte a un electricista calificado o a un técnico de servicio si las instrucciones de puesta a tierra no son comprendidas completamente o si existe duda respecto a si el artefacto está debidamente puesto a tierra.

Cuando existe un receptáculo mural estándar para enchufes de dos clavijas, es su responsabilidad y

obligación personal reemplazarlo con un tomacorriente mural de tres clavijas puesto a tierra.

Bajo ninguna circunstancia corte o retire la tercera clavija (conexión a tierra) del cordón eléctrico. No use un adaptador con este artefacto. Vea la página ly 2 de la Guía de Instalación para las especificaciones de un cordón de extensión aceptable.

Nota Sobre Interferencia

Los hornos de microondas generan energía de radiofrecuencia durante el funcionamiento y si no están instalados debidamente pueden causar interferencia con la recepción de la radio o de la televisión. Usted puede determinar si este artefacto está causando interferencia encendiéndolo y apagándolo cuando está ocurriendo interferencia. Si ocurre interferencia, ésta puede ser corregida tomando una o más de las siguientes medidas:

- ◆ limpie la puerta y la superficie de sellado del horno;
- ◆ cambie la dirección de la antena de recepción de la televisión o de la radio;
- ◆ vuelva a ubicar el horno con respecto a la televisión o al receptor de radio y/o
- ◆ enchufe el horno en un tomacorriente diferente de modo que la televisión o radioreceptor estén en circuitos diferentes.

Si la interferencia persiste, debe consultar con un técnico experto en radio/televisión para sugerencias adicionales.

Característica de Protección Automática del Ventilador

Los artefactos de cocinar instalados debajo del microondas pueden, bajo ciertas condiciones de uso continuo, causar temperaturas suficientemente altas que sobrecalienten algunas piezas internas del horno de microondas.

Para evitar que ocurra sobrecalentamiento, el ventilador está diseñado para encenderse automáticamente a

velocidad baja si ocurren temperaturas excesivas. Si esto sucede, el ventilador no puede ser apagado manualmente pero se apagará automáticamente cuando las piezas internas se hayan enfriado. El ventilador puede permanecer encendido durante una hora después que los controles de la estufa y del microondas hayan sido apagados.

Sugerencias para Cocinar en el Microondas

◆ Asegúrese de que todos los utensilios usados en el microondas son resistentes para uso en el microondas. En el horno se pueden usar la mayoría de las fuentes de cocinar de vidrio, las tazas de medición, las tazas de flanes, los utensilios de cerámica o loza que no tengan una guarnición metálica o vidriado con brillo metálico.

◆ Si usted no está seguro de que un utensilio es resistente al microondas, haga esta prueba: Coloque en el horno el utensilio que usted está probando y una taza de medir de vidrio llena con agua.

Coloque la taza de medir ya sea dentro del utensilio o cerca del. Haga funcionar el microondas durante 1 minuto a temperatura alta. Si la fuente se calienta, no debe ser usada en el microondas. Si la fuente continúa fría y solamente el agua en la taza se calienta, entonces la fuente es resistente al microondas.

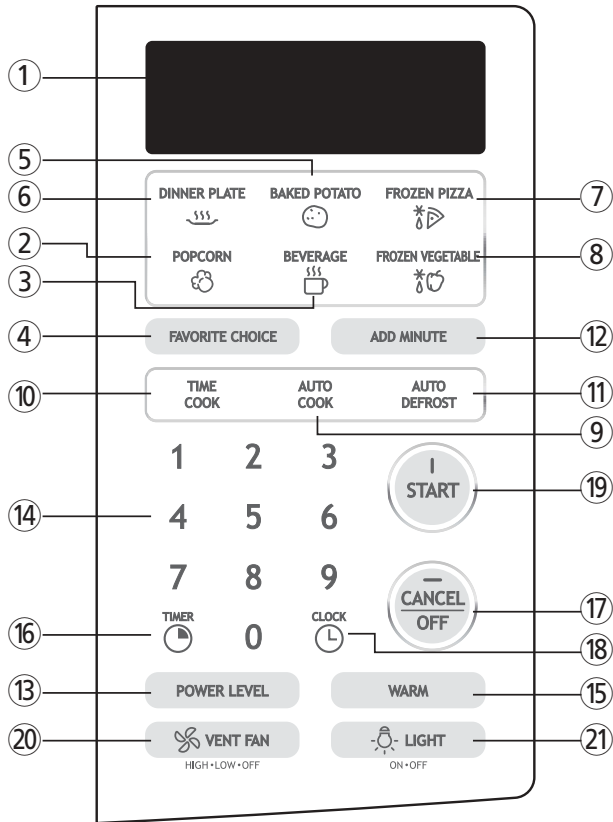
◆ Las toallas de papel, el papel encerado y las envolturas plásticas pueden usarse para cubrir platos para que retengan la humedad y evitar salpicadura. Asegúrese de agujerear o preparar la envoltura de plástico para que escape el vapor.

Panel de Control Sensible al Tacto

El Panel de Control Sensible al Tacto le permite programar los controles del horno con el toque de un dedo. Está diseñado para fácil uso y comprensión.

1. **'DISPLAY' (INDICADOR VISUAL)** - Despliega la hora del día, el tiempo o la temperatura durante las funciones de cocción, el nivel de energía que está siendo usado, el modo de cocción e instrucciones de cocción.
2. **'POPCORN' (PALOMITAS DE MAIZ)** - Oprima esta tecla para cocinar palomitas de maíz envasadas para microondas con un peso de 100 g (3,5 onzas). El horno comenzará automáticamente.
3. **'BEVERAGES' (BEBIDAS)** - Oprima esta tecla para recalentar una bebida. El horno comenzará automáticamente.
4. **'FAVORITE CHOICE' (FAVORITOS)** - Oprima esta tecla para desplegar nuevamente tres instrucciones de cocción colocadas en la memoria y para programar nivel de sonido de las señales, buscar velocidades y desactivar el despliegue del reloj.
5. **'BAKED POTATO' (PAPAS ASADAS)** - Oprima esta tecla para cocinar de 1 a 4 papas. El horno empezará automáticamente.
6. **'DINNER PLATE' (PLATO DE COMIDA)** - Oprima esta tecla para recalentar un plato de comida lleno de restos de alimentos fríos.
7. **'FROZEN PIZZA' (PIZZA CONGELADA)** - Oprima esta tecla para calentar pizza congelada. El horno comenzará automáticamente.
8. **'FROZEN VEGETABLES' (VERDURAS CONGELADAS)** - Oprima esta tecla para cocinar verduras congeladas. El horno comenzará automáticamente.
9. **'AUTO COOK' (COCCION AUTOMATICA)** - Automáticamente computará la energía microondas y el tiempo de cocción. Consulte la Guía de Cocción Automática.
10. **'TIME COOK' (TIEMPO DE COCCION)** - Cocción en el microondas durante una cantidad seleccionada de tiempo.
 - ◆ El Nivel de Energía 10 (Alto) es automático pero se pueden programar niveles de calor más bajos.
11. **'AUTO DEFROST' (DESCONGELACION AUTO-MATICA)** - Oprima esta tecla para entrar el peso de los alimentos. luego 'START' (COMENZAR). El horno automáticamente determina los niveles de energía y el tiempo de descongelación.
12. **'ADD MINUTE' (AGREGAR MINUTO)** - Oprima esta tecla para tiempo de cocción de 1 minuto, para agregar 1 minuto al tiempo de cocción a medida que el indicador de tiempo está regresando en la cuenta o para un "instant on" del 1 minuto.
13. **'POWER' (NIVEL DE ENERGIA)** - Oprima esta tecla si desea cambiar de Nivel de Energía automático 10 (Alto) para cocinar.
14. **TECLAS DE NUMEROS** - Oprima estas teclas para programar el tiempo de cocción, tiempo de descongelación, hora del día, nivel de energía o peso de los alimentos para 'Auto Defrost' (Descongelación Automática)
15. **'WARM' (CALENTAR)** - Oprima esta tecla para mantener los alimentos calientes en forma segura durante 30 minutos.
16. **'TIMER' (INDICADOR DE TIEMPO)** - Esta característica no usa energía de microondas. Funciona como un indicador de tiempo de la cocina, como período de reposo después de la descongelación o como un indicador de tiempo diferido antes del tiempo de cocción.
17. **'CANCEL/OFF' (CANCELAR/APAGAR)** - Cuando esta tecla se oprime una vez, se detiene el funcionamiento del horno. Cuando se oprime dos veces, se apaga el horno y se cancelan todos los ajustes (excepto la hora del día).
18. **'CLOCK' (RELOJ)** - Oprima esta tecla para colocar la hora del día o verificar la hora del día cuando esté cocinando en el horno.
19. **'START' (COMENZAR)** - Después de que se han hecho todas las selecciones, oprima esta tecla para comenzar el horno o el indicador de tiempo.
20. **'VENT FAN' (VENTILADOR DEL RESPIRADERO)** - Toque esta pista para seleccionar la velocidad del ventilador del respiradero o para dar vuelta al ventilador del respiradero encendido o apagado.
21. **'LIGHT' (LUZ)** - Toque esta pista para girarse o de la luz superficial y de la luz de la noche.

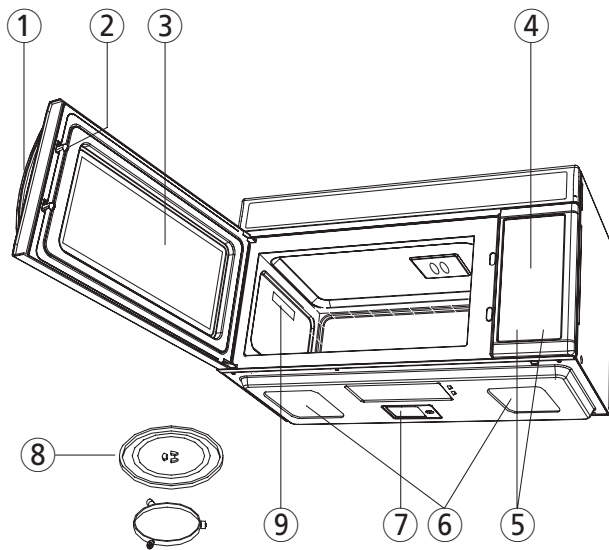
<MCO165UW/ MCO165UB>



- ◆ Cada vez que se oprima una tecla, se escuchará una SEÑAL SONORA.
- ◆ Cuando usted enchufa el horno, la visualización enrostrará "(TOUCH CLOCK PAD TO ENTER TIME OF DAY) la PISTA del RELOJ del TACTO PARA INCORPORAR HORA". Si la potencia se interrumpe en cualquier momento, la secuencia antedicha se repite.

NOTA: Las características y el estilo pueden ser ligeramente diferentes dependiendo del modelo.

Características Generales del Horno



1. MANIJA DE LA PUERTA - Tire de la manija para abrir la puerta. La puerta debe mantenerse firmemente cerrada para que el horno funcione.

2. PESTILLOS DE LA PUERTA

3. VENTANA con PROTECTOR METALICO - La pantalla permite que se observe la cocción a la vez que se mantiene las microondas confinadas en el horno.

4. PANEL DE CONTROL SENSIBLE AL TACTO e INDICADOR VISUAL DIGITAL - Para información detallada sobre cada característica, ver la sección Panel de Control Sensible al Tacto, página 7.

5. CONTROLES DE LA CAMPANA

'Vent Fan' (Ventilador) - Oprima 'High', 'Low' u 'Off'.

Luz - Oprima 'On' u 'Off'

6. FILTROS DE GRASA

7. LUZ DE LA CUBIERTA

8. PLATO GIRATORIO - Se compone de una bandeja de vidrio y una guía de rodillos. La guía de rodillos es colocada primero en el fondo del microondas y sobre ella se coloca la bandeja de vidrio. **Ambas piezas deben estar en su lugar cuando se usa el horno microondas.**

9. PLACA DE DATOS - Situada en la pared interior del horno de microondas.

Funciones básicas

Reloj

Instrucciones básicas

1. Pulsar la **tecla CLOCK** (reloj)
2. Ingresar la hora del día pulsando los números correctos
3. Pulsar la **tecla CLOCK**

- ◆ Después de enchufar el horno o después de un corte de corriente, en el visor aparecerá "88:88". Pulsar la tecla CANCEL/OFF (cancelar/apagar) e ingresar la hora correcta siguiendo las instrucciones anteriores.
- ◆ El reloj que indica la hora es un reloj de 12 horas.
- ◆ Si está configurado, se podrá ver la hora cuando no se esté utilizando ninguna de las funciones del horno.
- ◆ Cuando el horno se apaga vuelve a aparecer la hora.

Tiempo de cocción/nivel de potencia

Instrucciones básicas

1. Pulsar la **tecla TIME COOK** (tiempo de cocción)
2. Ingresar el tiempo de cocción utilizando las teclas de números - Por ejemplo: para 5 minutos, pulsar los números: 5, 0, 0. La cantidad seleccionada de tiempo aparecerá en el visor.
3. Pulsar la **tecla START**(inicio).
 - ◆ El tiempo de cocción aparecerá en el visor.
 - ◆ El horno se pondrá en funcionamiento y se iniciará la cuenta regresiva.
 - ◆ El horno se detendrá automáticamente cuando finalice el tiempo y se escuchará un "bip" tres veces.
 - ◆ Cuando termina el tiempo de cocción, la palabra "END" (fin) aparecerá en el visor.

- ◆ Empezar con el más corto de los tiempos recomendados de cocción y agregar más tiempo según se necesite.
- ◆ Controlar los alimentos mientras se cocinan.
- ◆ La puerta del horno se puede abrir en cualquier momento mientras el horno está funcionando. Éste se detendrá automáticamente y se mantendrá el tiempo de cocción ingresado hasta que la puerta se cierre y se vuelva a pulsar la tecla START (inicio).
- ◆ Si se pulsa la tecla START y el horno no reinicia su funcionamiento, verificar la zona entre la puerta y la junta para comprobar que no haya obstrucciones. El horno no se pondrá en funcionamiento hasta que la puerta esté completamente cerrada.

Nota . . .

- ◆ *Automáticamente el horno funciona con la potencia total. Si se desea utilizar un nivel diferente de potencia, pulsar la tecla POWER LEVEL(potencia)antes de pulsar la tecla START (inicio).*

Ingresar el nivel de potencia deseado pulsando las teclas de números que desee. El número de potencia elegido aparecerá en el visor. (Ver Guía de cocción en la página 11).

Funciones Básicas

Guía de Cocción de los Niveles de Energía

Los niveles de energía en su horno de microondas pueden ser comparados a los elementos superiores de una estufa. El(nivel de energía 10) 'High' o 'Full Power' (Energía Máxima) es la manera más rápida de cocinar y le proporciona 100% de energía.

Cada nivel de energía le proporciona energía de microondas para un cierto porcentaje de tiempo, por ejemplo, el nivel de energía 7 es energía de microondas durante 70% del tiempo. La mayoría de sus funciones de cocción serán efectuadas en 'High' (Nivel de energía 10.) Un ajuste inferior cocinará más uniformemente y necesitará menor atención para revolver o dar vueltas los alimentos. Algunos alimentos pueden tener mejor sabor, mejor textura o apariencia si se usan ajustes inferiores. Se recomienda usar un nivel de energía inferior cuando cocine alimentos que tienen una tendencia a derramarse, tales como papas escalopadas. Los tiempos de cocción aumentarán a medida que se disminuye el nivel de energía.

Nivel de Energía	Uso Preferible
'High' (Alto) 10	Pescado, tocino, verduras, líquidos hirvientes.
'Medium' (Mediano) 7	Cocción suave de carne de res y carne de ave, cacerolas y recalentamiento.
'Medium' (Mediano) 5	Cocción lenta y ablandamiento de estofados y cortes de carne más duros.
'Low' (Bajo) 3	Descongelación, cocción a fuego lento, salsas delicadas.
'Calentar' (Tibio) 1	Mantener los alimentos calientes sin sobrecocerlos, derretir mantequilla.

'Add Minute' (Agregar Minuto)

La tecla 'ADD MINUTE' es una manera conveniente de calentar alimentos con energía máxima, ya sea oprimiendo una sola tecla o agregando un minuto adicional a su ciclo de cocción cuando está en progreso. El horno comienza automáticamente después de que se ha oprimido la tecla.

'ADD MINUTE' no puede ser usado con las **FUNCIONES DE 'ONE TOUCH COOKING', 'SENSOR COOK', 'AUTO DEFROST', 'TIMER', 'FAVORITE CHOICE' o 'WARM'.**

Cada vez que la tecla sea oprimida el horno agregará 1 minuto al tiempo, hasta llegar a 99 minutos.

Temporizador

Instrucciones básicas

1. Pulsar la tecla TIMER (temporizador)
2. Ingresar el tiempo deseado. En el visor aparecerá el tiempo elegido.
3. Pulsar la tecla START (inicio)

- ◆ El temporizador se puede programar para un tiempo máximo de 99 minutos y 99 segundos.
- ◆ Las señales sonoras señalan el final de la operación de la sincronización.
- ◆ Para detener el temporizador una vez que ha iniciado su funcionamiento, Pulsar la tecla CANCEL/OFF. En el visor, volverá a aparecer la hora.
- ◆ No se puede poner en funcionamiento el temporizador durante la cocción de alimentos.
- ◆ La puerta tiene que estar cerrada para que el temporizador funcione.

Descongelamiento automático

Usar la función descongelar para carnes, aves y pescado desde 0,1 libras hasta 6,0 libras.

Instrucciones básicas

- ◆ Pulsar **AUTO DEFROST** (descongelamiento automático) una vez para descongelar carne. En el visor aparecerá "dF-1".
 - ◆ Pulsar la tecla **AUTO DEFROST** dos veces para descongelar aves. En el visor aparecerá "dF-2".
 - ◆ Pulsar **AUTO DEFROST** tres veces para descongelar pescado. En el visor aparecerá "dF-3".
- Pulsar las teclas de números para ingresar el peso. *El tiempo de descongelamiento y el nivel de potencia se calculan automáticamente.
- Pulsar la tecla **START** (inicio)

* Ingresar el peso en libras y décimas de libras. Ver más abajo la tabla de conversión.

- ◆ Durante el proceso de descongelamiento, se escucharán bips cortos que indican que debe dar vuelta o reacomodar los alimentos. El horno seguirá funcionando si los alimentos no se dan vuelta o se reacomodan. Tres bips indican la finalización del proceso. La palabra "END"(fin) aparecerá en el visor.
- ◆ Cuando se descongela carne, se debe girar o reacomodar dos veces. Cuando se descongelan aves, se deben girar o reacomodar una sola vez.

Tabla de conversión

Si el peso está en onzas (gramos)-	entonces el peso es convertido a décimas de una libra.
1 a 2 onzas (28 a 57 g)	0,1 (45 g)
3 a 4 onzas (85 a 113 g)	0,2 (90 g)
5 onzas (142 g)	0,3 (135 g)
6 a 7 onzas (170 a 198 g)	0,4 (180 g)
8 onzas (227 g)	0,5 (225 g)
9 a 10 onzas (255 a 283 g)	0,6 (270 g)
11 a 12 onzas (312 a 340 g)	0,7 (315 g)
13 onzas (368 g)	0,8 (360 g)
14 a 15 onzas (397 a 425 g)	0,9 (405 g)

Descongelamiento por tiempo

Instrucciones básicas

- Pulsar la tecla **TIME COOK Pad**(tiempo).
- Ingresar el tiempo de descongelamiento deseado
- Pulsar la tecla **POWER LEVEL**(potencia)
- Pulsar la tecla **NÚMERO 3**
- Pulsar la tecla **START** (inicio)

Note . . .

- ◆ Ver en la página 13 otras recomendaciones para descongelar automáticamente o por tiempo.

Funciones Básicas

Descongelación Usando la Guía de Tiempo (Nivel de Energía 3)

Artículos y Peso	Tiempo de Descongelación	Tiempo de Reposo	Procedimientos y Técnicas
Carne de Res			
Carne de Res Molida / 0,450 kg (1 libra)	10-12 min.	5 min.	Separe y retire las porciones descongeladas con un tenedor.
Carne de Res Molida / kg (2 libra)	18-20 min.	8-12 min.	Separe y retire las porciones descongeladas con un tenedor.
Asado de Carne de Res, sin hueso / 1,4kg (3 libra)	26-28 min.	7-10 min.	De vuelta al la mitad de la descongelación. Cubra los extremos o as áreas más delgadas con papel de aluminio.
Biftecs / 2,5 cm(1") de grosor	7-8 min.	5-7 min.	Separe y vuelva a redistribuir una vez.
Carne de Cerdo			
Asado de Cerdo, sin hueso / 1,360 kg (3 libra)	20-22 min.	10-15 min.	De vuelta al la mitad de la descongelación. Cubra los extremos o las áreas más delgadas con papel de aluminio.
Chuletas de Cerdo / 0,450 kg (1 libra)	7-8 min.	5-7 min.	Separe y vuelva a redistribuir una vez.
Carne de Cerdo Molida / 0,450 kg (1 libra)	10-12 min.	5-7 min.	Separe y retire las porciones descongeladas con un tenedor.
Costillas de Cerdo / 5,4 kg (1½ libra)	15-16 min.	5-7 min.	Dé vuelta a la carne y vuelva a redistribuir, separe una vez.
Carne de Ave			
Pollo Entero / 1,360 kg (3 libra)	20-22 min.	10-15 min.	De vuelta el pollol. Proteja las puntas de las alas. Los extremos de las patas y la pechuga con papel de aluminio. Ellado de la pechuga debe ser colocado hacia abajo.
Pechugas de Pollo deshuesadas / 0,450 kg (1 libra)	7-8 min.	5-7 min.	Separe y vuelva a distribuir una vez.
Muslos de Pollo / 0,0900 kg (2 libra)	18-23 min.	8-13 min.	Separe y vuelva a distribuir una vez.
Pescado			
Filetes de Pescado / 0,450 kg (1 libra)	10-11 min.	5-7 min.	Separe y vuelva a distribuir una vez. Cubra como sea necesario.

Sugerencias Generales para la Descongelación

1. No descongele carne que aún esté envuelta. Al estar envuelta se puede comenzar a cocer. Siempre retire la envoltura exterior y la bandeja. Coloque el alimento en una parrilla resistente a las microondas en un plato. Durante la descongelación, los jugos se acumulan en el plato y pueden llegar a calentarse lo suficiente como para cocinar el alimento. Si levanta la carne del plato puede evitar que la parte inferior y los lados comiencen a cocinarse.
2. Rara comenzar la descongelación de un pollo entero colóquelo con la pechuga hacia abajo. Comience a descongelar los más rápidamente que un bloque profundo.
3. La forma del envase altera el tiempo de descongelación. Las formas rectangulares poco profundas se descongelan más rápidamente que un bloque profundo.
4. **La Descongelación Automática** es programada para pesos específicos. Los resultados de la descongelación se verán afectados si usted coloca un peso incorrecto.
5. **La descongelación Automática** está programada para alimentos congelados a 0°F (18°C). Si el alimento ha sido guardado a una temperatura más alta, se pueden esperar tiempos de descongelación más cortos.
6. Después de haber transcurrido 1/3 del tiempo de descongelación revise el alimento. Puede que sea necesario darlo vuelta, separarlo, redistribuirlo o retirar las porciones del alimento que ya se han descongelado.
7. **Durante la Descongelación Automática, el horno le indicará dar vuelta el alimento.** En este momento abra la puerta del horno y revise el alimento. Siga las técnicas indicadas a continuación para obtener resultados óptimos de descongelación. Después, cierre la puerta del horno, oprima la **Tecla 'START'** para completar la descongelación.
 - ◆ **Dar Vuelta:** Asados, costillas, pollos enteros, pechugas de pavo, "hot dogs", salchichas, bistecs o chuletas de cerdo.
 - ◆ **Redistribuir:** Separe los bistecs, las chuletas de cerdo, las ham-burguesas, carne molida, pedazos de pollo o mariscos, trozos de carne tales como carne de res para estofado.
 - ◆ **Cubrir:** Use pequeñas franjas de papel de aluminio para proteger las áreas delgadas o los bordes de alimentos que tienen formas dispares tales como las alas de pollo. Para evitar que se produzcan chispas, no deje que el papel de aluminio quede a 2,5 cm (2 pulgada) de distancia de las paredes o de la puerta del horno.
 - ◆ **Retirar:** Para evitar que se cocinen, las porciones descongeladas deben ser retiradas del horno en este momento. Esto puede acortar el tiempo de descongelación para los alimentos que pesan menos de 1,4kg (3 libras)
8. Después de la descongelación, deje reposar el alimento 5 a 10 minutos si hay alguna área que este helada. Si los asados grandes compactos tales como el lomo o asado de la cadera no están completamente descongelados después de haber reposado, vuelva a colocar el asado en el horno y programe 'Auto Defrost' para 0,450 kg (1 libra)

Funciones Básicas

Cocción en dos etapas

Esta función permite programar dos operaciones, una después de la otra, por ejemplo descongelar y cocinar o cocinar utilizando dos niveles diferentes de

potencia. Cambia automáticamente los niveles de potencia y los tiempos de cocción

Instrucciones básicas

1. Pulsar la tecla **TIME COOK Pad** (tiempo de cocción).
2. Pulsar las teclas de números correspondientes para ingresar el tiempo de cocción deseado. El tiempo elegido aparecerá en el visor.
3. Pulsar la tecla **POWER LEVEL** (potencia).
4. Pulsar la tecla del número que corresponda al nivel de potencia deseado. El nivel de potencia elegido aparecerá en el visor.
5. Pulsar la tecla **TIME COOK Pad** de nuevo.
6. Pulsar las teclas de números que correspondan para ingresar el tiempo de cocción para la segunda etapa de la operación. El tiempo elegido aparecerá en el visor.
7. Pulsar la tecla **POWER LEVEL**.
8. Pulsar la tecla del número que corresponda al nivel de potencia deseado. El nivel de potencia elegido aparecerá en el visor.
9. Pulsar la tecla **START** (inicio).

Características especiales

Palomitas de maíz

Instrucciones básicas

1. Pulsar la tecla **POPCORN** (palomitas de maíz) una vez para un paquete de 3,5 onzas. En el visor aparecerá "3.5".

- ◆ La tecla **POPCORN** está automáticamente programada para el tiempo de cocción necesario para un paquete de 3,5 onzas.
- ◆ Escuche cuando las palomitas empiezan a saltar y detenga el microondas cuando las explosiones se produzcan con una demora de tres segundos entre una y otra.
- ◆ No trate de volver a cocinar las palomitas que no explotaron ni de volver a utilizar una bolsa.
- ◆ Cocine un solo paquete por vez.

PRECAUCIÓN: si el envase de palomitas contiene una cantidad diferente de las opciones recomendadas, no utilice la tecla **POPCORN**. Se puede producir una cocción inadecuada de las mismas u originar un incendio. Siga las instrucciones del fabricante.

PRECAUCION: No coloque el bolso directamente en la bandeja de la placa giratoria, empaquetan por favor en plato microwavable al cocinar

Bandeja de cena

Instrucciones básicas

1. Pulsar la tecla **DINNER PLATE** (bandeja de cena).
2. Aparecerá "12" en el visor.

- ◆ El tiempo programado (2:40) aparecerá en el visor.
- ◆ Coloque la carne y las verduras más sólidos en los bordes de la bandeja.
- ◆ Coloque los alimentos delicados en el centro de la bandeja.
- ◆ Cubra la bandeja con papel encerado para mantener el vapor en la mayoría de los casos salvo con carnes poco cocidas o verduras que tienen cubiertas crocantes.

Pizza congelada

Instrucciones básicas

1. Pulsar la tecla **FROZEN PIZZA** (pizza congelada).
2. Aparecerá "8" en el visor.

- ◆ El tiempo programado (3:00) aparecerá en el visor.
- ◆ Cocine una sola pizza por vez.
- ◆ Siga las instrucciones del fabricante.
- ◆ Use solamente pizzas congeladas con la indicación de que pueden ser cocinadas en el microondas.
- ◆ Si el queso de la pizza no está suficientemente derretido, cocine durante algunos segundos más.

Bebidas

Instrucciones básicas

1. Pulsar la tecla **BEVERAGE** (bebida) una vez para una taza (8 onzas)/jarro. En el visor aparecerá la leyenda "1CUP".
2. Pulsar la tecla **BEVERAGE** dos veces para 2 tazas (16 onzas)/jarros. En el visor aparecerá la leyenda "2CUPS".
3. Pulsar la tecla **BEVERAGE** tres veces para 3 tazas (24 onzas)/jarros. En el visor aparecerá la leyenda "3CUPS".

Patatas asadas

Instrucciones básicas

1. Pulsar la tecla **BAKED POTATO** (patatas asadas):
 - ◆ una vez para 1 patata mediana (7 onzas)
 - ◆ dos veces para 2 patatas medianas (14 onzas)
 - ◆ tres veces para 3 patatas medianas (21 onzas)
 - ◆ cuatro veces para 4 patatas medianas (28 onzas)
 - ◆ En el visor aparecerá "1EA", "2EA", "3EA" o "4EA".

Mantener caliente

Instrucciones básicas

1. Pulsar la tecla **WARM** (mantener caliente). En el visor aparecerá la leyenda "HEAT".
2. Pulsar la tecla **START** (inicio).

- ◆ El horno microondas mantendrá los alimentos tibios sin peligro de quemarlos durante 30 minutos como máximo.
- ◆ La función mantener caliente se interrumpe abriendo la puerta o pulsando la tecla **CANCEL/OFF** (cancelar/apagar).
- ◆ Los alimentos que se cocinaron cubiertos también deben cubrirse durante el calentamiento.
- ◆ Todos los alimentos de la bandeja de cena deben estar cubiertos.

Características especiales

Opción favorita

Para programar y modificar la función opción favorita :

1. Pulsar la tecla **COOK TIME** (tiempo de cocción). Ingresar el tiempo de cocción.
2. Pulsar la tecla **POWER LEVEL** (potencia)
3. Ingresar el nivel de potencia. Por ejemplo: "5" para un 50% de nivel de potencia.
4. Pulsar la tecla **FAVORITE CHOICE** (opción favorita).
5. Pulsar la tecla **START** (inicio) para guardar en la memoria.

Cuando se ha ingresado un programa, en el visor aparecerá la leyenda "SAVE" (guardar) para que usted sepa que se ha guardado un programa.

NOTE: *repetir los pasos 1 a 5 para los programas 2 y 3 de OPCIÓN FAVORITA.*

Para usar Opción Favorita:

1. Colocar la comida en el horno y cerrar la puerta.
2. Pulsar la tecla **FAVORITE CHOICE** (opción favorita). En el visor aparecerá la leyenda "FC-1".
 - ◆ Para elegir el programa 2 o el programa 3, pulsar la tecla FAVORITE CHOICE hasta que el programa que quiere aparezca en el visor.
3. Pulsar la tecla **START** (inicio).

Para programar la señal de sonido de OPCIÓN FAVORITA y el reloj del visor:

Pulsar la tecla **FAVORITE CHOICE** cuatro veces. La leyenda "OPT" aparecerá en el visor.

Para cambiar la señal de sonido:

- ◆ Cojín 1 del número del tacto. La señal sonora sonará.
- ◆ Cojín 2 del número del tacto. el indicador del "MUTE" será encendido. La chicharra de sonido no se activará.

Para encender/apagar el visor del reloj:

- ◆ Pulsar la tecla 3. Después de que la leyenda "On" esté en el visor durante dos segundos, aparecerá la hora.
- ◆ Pulsar la tecla 4. Después de que la leyenda "Off" esté en el visor dos segundos, el visor quedará en blanco.

Verduras congeladas

Instrucciones básicas

1. Pulsar la **tecla FROZEN VEGETABLES** (verduras congeladas) una vez para 8 onzas de verduras congeladas. En el visor aparecerá "8".
2. Pulsar la **tecla FROZEN VEGETABLES** dos veces para 10 onzas de verduras. En el visor aparecerá "10".
3. Pulsar la **tecla FROZEN VEGETABLES** (verduras congeladas) tres veces para 16 onzas de verduras congeladas. En el visor aparecerá "16".
4. Pulsar la **tecla FROZEN VEGETABLES** (verduras congeladas) cuatro veces para 20 onzas de verduras congeladas. En el visor aparecerá "20".

Cocción automática

Instrucciones básicas

1. Pulsar la tecla **AUTO COOK** (cocción automática) hasta que aparezca en el visor el alimento deseado.*
2. Pulsar la tecla del número indicado en la Guía de Cocción para el peso indicado.*
3. Pulsar la tecla **START** (inicio).

* Ver el cuadro siguiente o la etiqueta de guía de cocción en la parte de adelante de la cavidad del horno.

- ◆ La función cocción automática tiene tiempos programados y niveles de potencia para cuatro categorías de alimentos: sopa, verduras frescas, pan y filete de pescado.
- ◆ El visor muestra la cuenta regresiva del tiempo de cocción.

Guía de Cocción Automática

ALIMENTOS	OPRIMA LA TECLA 'AUTO COOK'	TECLA NUMÉRICA	CANTIDAD	DEMOSTRACIÓN
Soup (Sopa)	Una vez	1	240 mL (8 onzas)	AC-1
		2	470 mL (16 onzas)	
		3	700 mL (24 onzas)	
		4	950 mL (32 onzas)	
Fresh Vegetables (Verduras Frescas)	Dos veces	1	113 g (4 onzas)	AC-2
		2	227 g (8 onzas)	
		3	340 g (12 onzas)	
		4	454 g (16 onzas)	
Muffins (Panquecitos)	Tres veces	1	2 ea.	AC-3
		2	4 ea.	
		3	6 ea.	
		4	8 ea.	
Fish Fillets (Filetes de Pescado)	Cuatro veces	1	113 g (4 onzas)	AC-4
		2	227 g (8 onzas)	
		3	340 g (12 onzas)	
		4	454 g (16 onzas)	

Técnicas y Sugerencias para Cocinar

- ◆ Para obtener los mejores resultados, cubra el recipiente con envoltura de plástico y doble hacia atrás un borde de la envoltura para formar una ranura de 13 mm (1/2 pulgada) por donde pueda escapar el vapor.
- ◆ Después de cocinar las verduras frescas, déjelas reposar 3 a 5 minutos antes de servir las. Esto permitirá que el alimento se termine de cocinar sin recocerse.
- ◆ Cuando prepare verduras frescas, agregue 1/2 taza de agua por cada 227 g (1/2 libra) de verduras frescas.

Características especiales

'Auto Start' (Comienzo Automático)

La característica 'AUTO START' le permite programar su horno para comenzar a cocinar a una hora determinada del día - hasta un retardo de 11 horas y 59 minutos. Usted puede programar dos operaciones sucesivas usando dos niveles de energía diferentes.

Instrucciones Básicas

1. Oprima la **Tecla 'TIME COOK'**.
2. Programe el tiempo de cocción.*
3. Oprima la **Tecla 'POWER LEVEL'**.
4. Programe el nivel de energía.
5. Oprima la **Tecla 'TIME COOK'**.
6. Programe el tiempo de cocción.
7. Oprima la **Tecla 'POWER LEVEL'**.
8. Programe el nivel de energía.
9. Oprima la **Tecla 'CLOCK'**.
10. Coloque la hora en que usted desea que el horno comience a cocinar.
11. Oprima la **Tecla 'START'****

- ◆ No use alimentos que contengan polvo de hornear o levadura cuando use 'AUTO START'. Ellos no se liudarán en forma debida.
- ◆ **Advertencia:** No use alimentos que pueden descomponerse mientras espera que comience el tiempo de cocción, tales como alimentos que contengan leche o huevos, sopas de crema y carnes o pescados cocinados. Cualquier alimento que deba esperar para ser cocinado debe estar muy frío o congelado antes de ponerlo en el horno.

Sugerencias para Programar el 'Auto Start':

- ◆ Antes de programarlo, verifique la hora del día aparezca correcta en el indicador.
- ◆ Si se escucha que el ventilador comienza a funcionar cuando oprime la **Tecla 'START'**, significa que no ha programado el horno en forma debida. Oprima la **Tecla 'CANCEL/OFF'** y comience de nuevo.

Retrasa START

RETRASA la característica del COMIENZO permite que usted programe su horno para comenzar a cocinar después de momento específoco- hasta retrasa de 99 minutos 99 segundos. Usted puede programar dos operaciones secuenciales ussing diversos niveles de la

Instrucciones Básicas

1. Toque el cojín del TIMER.
2. Entre deseó tiempo que usted desea el horno a retrasa.
3. Toque el cojín del TIME COOK.
4. Incorpore el tiempo de cocción.
5. Toque el cojín del POWER LEVEL.
6. Incorpore el nivel de la energía.
7. Toque el cojín del TIME COOK.
8. Incorpore el tiempo de cocción.
9. Toque el cojín del POWER LEVEL
10. Incorpore el nivel de la energía.
11. Toque el cojín del START.

Aumento o Disminución de los Ajustes de Tiempo

Usted puede aumentar o disminuir cualesquiera de las configuraciones preestablecidas para el UN TACTO QUE COCINA CARACTERÍSTICAS si usted prefiere más o tiempo de cocción de los lesss.

Para Cambiar los Ajustes Predeterminados:

1. Oprima la **Tecla 'POWER LEVEL'** una vez par aumentar el tiempo en 20 segundos o dos veces para disminuir el tiempo en 20 segundos.
2. Oprima la **Tecla 'ONE TOUCH COOKING'** deseada.

'Control Lockout' (Bloqueo de Control)

Se puede bloquear el funcionamiento del horno a fin de evitar que el microondas sea accidentalmente encendido. Todas las funciones del horno pueden ser bloqueadas.

Para Programar:

Oprima y mantenga oprimida la **Tecla 'CANCEL/OFF'** durante tres segundos. El muestra **"LOCKED"** (Bloquear) y el horno emite una señal sonora.

Para Cancelar:

Oprima y mantenga oprimida la **Tecla 'CANCEL/OFF'** durante tres segundos. **"LOCKED"** desaparecerá del **Indicador Visual** y el horno emitirá una señal sonora.

Características especiales

Uso del ventilador

Usted puede controlar el ventilador de 2 velocidades pulsando la tecla VENT FAN (ventilador).

Instrucciones básicas

1. Pulsar la tecla VENT FAN una vez para velocidad alta.
La exhibición será "Hi".
2. Pulsar la tecla VENT FAN dos veces para velocidad baja.
La exhibición será "Lo".
3. Pulsar la tecla VENT FAN tres veces para apagar el ventilador. En el visor aparecerá la leyenda "OFF" (apagado).

Para programar que el ventilador funcione durante un tiempo específico:

1. Iniciar la marcha del ventilador pulsando la tecla VENT FAN (ventilador).
2. Programar el tiempo de funcionamiento
 - ◆ Pulsar la tecla **TIMER** (temporizador) y mantenerla apretada durante 3 segundos.
En el visor aparecerá la leyenda "FAN" (ventilador).
3. Ingresar el tiempo que desea que funcione.
4. Pulsar la tecla **START** (inicio).

Para cancelar el temporizador:

- ◆ Pulsar la tecla CANCEL/OFF Pad.

Note . . .

- ◆ Si cancela el temporizador, éste dejará de funcionar, pero el ventilador seguirá funcionando. El ventilador seguirá funcionando hasta que lo apaguen.

Uso de la luz superior

Puede controlar la luz pulsando la tecla LIGHT (luz).

Instrucciones básicas

1. Pulsar la tecla **LIGHT** una vez para encender la luz superior.
La exhibición será "On".
2. Pulsar la tecla **LIGHT** dos veces para apagar la luz superior. En el visor aparecerá la leyenda: "OFF" (luz apagada).
Si no hay usuario entrado por 10 horas, la luz del cooktop y el ventilador del respiradero darán vuelta apagado automáticamente para la energía excepto.

Cuidado y Limpieza

Interior del Horno de Microondas

El interior del horno debe limpiarse después de cada uso con un paño húmedo para mantenerlo libre de grasa y acumulación de suciedad. La suciedad persistente puede sacarse con una esponja de fregar de plástico. Cuando limpie las superficies interiores y las superficies de la puerta y del horno que quedan en contacto cuando la puerta se cierra, use solamente jabones o detergentes no abrasivos suaves, aplicados con una esponja o paño suave.

Se pueden eliminar los olores del interior del horno hirviendo una solución de una taza de agua y varias cucharadas de jugo de limón en el horno durante 5 a 7 minutos. Esto también ayuda a soltar cualquier suciedad seca que haya quedado en el horno. Limpie el exceso de humedad después del uso.

Nota . . .

- ◆ No rocíe ni coloque limpiadores líquidos directamente en una superficie. Rocíe o coloque primero el limpiador en un paño o esponja y luego limpie.
- ◆ No use limpiadores abrasivos, limpiadores de horno, esponjas de limpieza abrasivas o de lana de acero, pues pueden rayar u opacar las superficies del horno.
- ◆ No retire ni inserte un cuchillo alrededor de la cubierta del 'difusor rotativo' para limpiar, puede dañar la cubierta o afectar el rendimiento de su horno.

Parte Inferior del Horno

Lave la parte inferior del horno con agua caliente jabonosa, enjuague y seque. No use cantidades excesivas de agua cuando limpie el horno, especialmente alrededor del plato giratorio. No permita que el agua o los agentes de limpieza se escurran hacia los engranajes del plato giratorio ubicados debajo.

Bandeja de vidrio/Plato Giratorio

Déjelo enfriar antes de sacarlo y limpiarlo. Lave en agua con jabón o en el lavavajillas.

Guía de Rodillo

Limpie frecuentemente para evitar ruido excesivo. Lave en agua jabonosa o en el lavavajillas.

Exterior del Horno

Limpie el exterior de su horno con un paño enjabonado, enjuague y seque. No use limpiadores abrasivos. Pueden rayar la superficie.

Compartimento de la Luz

Limpie a menudo la grasa y el polvo de la cubierta del compartimento de la luz en el lado inferior del horno microondas con agua tibia y detergente.

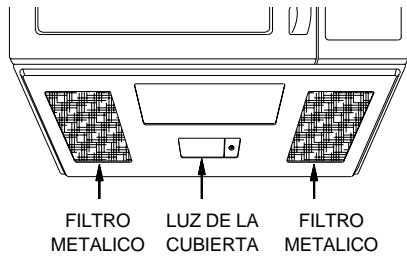
Panel de Control

Limpie con un paño húmedo. Seque. No use sprays directamente en el panel. Primero impregne el paño con el limpiador y luego limpie.

Cuidado y Limpieza

Campana de Escape

La campana de escape de su horno de microondas está equipada con dos filtros metálicos que recogen la grasa. Cuando el ventilador está en funcionamiento, el aire es atraído hacia los filtros y luego es descargado a través de la ventilación al exterior o a través de los filtros de carbón si no hay ventilación hacia el exterior.

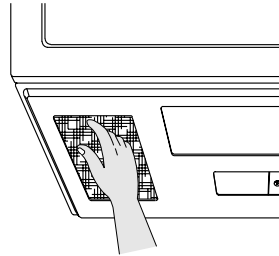


Filtros de Grasa Reusables

Los filtros de grasa reusables deben ser lavados por lo menos una vez al mes. Nunca haga funcionar el microondas sin tener los filtros en su lugar. En situaciones donde pueden ocurrir llamas en las superficies debajo de la campana, los filtros detendrán la entrada de llamas al horno.

Desmontaje del Filtro de Grasa

Para sacar el filtro de grasa, sostenga la lengüeta ('finger hold') del filtro y deslícela hacia atrás. Luego tire del filtro hacia abajo y hacia el frente. El filtro saldrá hacia afuera.



Limpieza del Filtro de Grasa

Para limpiar los filtros de grasa, sumérjalos y luego agite el filtro en una solución de agua caliente y detergente. No use amoníaco ni productos a base de amoníaco porque ellos pueden oscurecer el metal. Se puede escobillar levemente para sacar la suciedad que esté incrustada. Enjuagar, sacudir y quitar la humedad antes de volver a colocarlos.

Reinstalación del Filtro de Grasa

Para reinstalar el filtro de grasa, deslice el filtro en la ranura del marco en la parte trasera de la abertura. Tire del filtro hacia arriba y hacia el frente para bloquearlo en su lugar.

Reemplazo del Foco

Luz de la Cubierta

Para reemplazar la combinación de luz de la cubierta/luz de noche:

1. Desconecte la corriente eléctrica en el fusible principal o en el disyuntor o desenchufe el horno.
2. Retire el tornillo en el lado izquierdo de la cubierta del compartimento de la luz y baje la cubierta hasta que se detenga. (Ver Figuras 1 y 2).
3. Destornille cuidadosamente los focos. Asegúrese de que los focos que va a reemplazar estén fríos antes de sacarlos.
4. Reemplace con focos incandescentes de 30 watts disponibles de su distribuidor autorizado. Los focos de 30 watts de alta intensidad que están disponibles en los supermercados y ferreterías, también pueden ser usados como repuestos.
5. Levante la cubierta del compartimento de la luz y vuelva a colocar el tornillo.
6. Vuelva a conectar la corriente eléctrica al microondas.

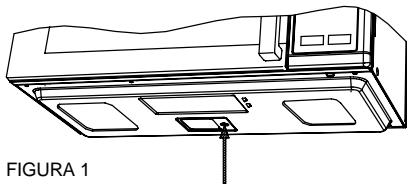


FIGURA 1

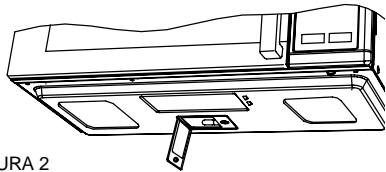


FIGURA 2

Luz del Horno

Para reemplazar la luz del horno:

1. Desconecte la corriente eléctrica en el fusible principal o en el disyuntor o desenchufe el horno.
2. Retire la parrilla superior sacando los dos tornillos que la sujetan en su lugar. (Ver Figuras 3).
3. Quite un tornillo (1) para el excedente de la lámpara (véase el cuadro 4).
4. Saque la cubierta de la lámpara. (Ver Figuras 4).
5. Reemplace el foco con un de 30 watts.
6. Substituya la cubierta ligera a la posición original.
7. Substituya la cubierta de la lámpara y asegúrela con el tornillo (1).
8. Vuelva a colocar la rejilla superior y asegúrela con los tornillos.
9. Conecte la corriente eléctrica.

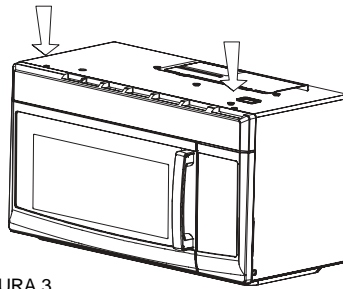


FIGURA 3

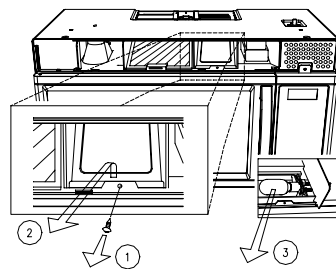


FIGURA 4

Preguntas y Respuesta Comunes

P & R

P. ¿Puedo abrir la puerta cuando el horno está funcionando?

R. La puera puede ser abierta en cualquier momento durante el funcionamiento. El horno automáticamente dejará de cocinar y el ajuste de tiempo se mantendrá hasta que la puerta sea cerrada y se oprimal la **Tecla 'START'**.

P. ¿Qué causa que la luz interior del horno y el indicador visual se oscurezcan cuando se usa un Nivel de Energía Variable?

R. Esto es normal e indica que el horno está funcionando y pasando por los diferentes ciclos de manera apropiada.

P. ¿Por qué escapa vapor alrededor de la puerta y se forman gotitas de humedad en el interior de la puerta del horno?

R. Esto es normal - a medida que el alimento se cocian, se produce vapor.

P. ¿Qué significan las diversas señales sonoras?

R. Señal sonora corta = se ha oprimido alguna tecla.

Tres señales sonoras cortas = error de entrada.

Una señal sonora larga = el horno se ha enchufado

Tres señales sonoras largas = fin de la cocción (el microondas se apagará.)

Una serie de tres señales cortas = verificar alimento para ver si es necesario darlo vuelta o redistribuirlo.

P. ¿Se puede usar el horno sin tener instalada la bandeja de vidrio o la guía de rodillos?

R. No. Tanto la bandeja de vidrio como la guía de rodillo deben estar siempre instaladas en el horno cuando se está cocinando.

Todo lo indicado a continuación es normal en su horno de microondas.

- ◆ Escape de vapor alrededor de la puerta.
- ◆ Reflexión de la luz alrededor de la puerta o de la caja exterior.
- ◆ Oscurecimiento de la luz del horno y cambio en el sonido del soplador que puede ocurrir durante los niveles de energía que no son altos.
- ◆ Sonido sordo cuando el horno está funcionando.

Juego de Filtros de Carbón

Se incluye un juego de filtro de carbón recirculante para los modelos que no son ventilados al exterior. Ver la guía de instalación para los detalles.

Antes de Solicitar Servicio

Verifique lo siguiente para asegurarse si es necesario hacer una llamada de servicio:

Si no funciona nada en el horno:

- ◆ Verifique si hay un fusible del circuito fundido o se ha disparado el interruptor principal.
- ◆ verifique si el horno está debidamente conectado a un circuito eléctrico del hogar.
- ◆ verifique si los controles están debidamente ajustados.
- ◆ verifique si ha establecido un tiempo de cocción.

Si la luz interior del horno no funciona:

- ◆ el foco puede estar suelto o defectuoso. Ver página 68 o llame a un técnico calificado.

Si el horno no cocina:

- ◆ verifique si el panel de control está programado correctamente.
- ◆ verifique si la puerta está firmemente cerrada.
- ◆ verifique si se ha oprimido la **Tecla 'START'**.
- ◆ puede que se haya programado **'Auto Start'**.
- ◆ se puede haber programado **'Control Lockout'**.
- ◆ verifique el área entre la puerta y el sello para ver si hay obstrucciones.

Si el horno se demora más de lo normal en cocinar o cocina muy rápidamente:

- ◆ asegúrese de que el **Nivel de Energía** esté programado correctamente.
- ◆ verifique las instrucciones sobre la densidad de los alimentos, etc.
- ◆ verifique si el voltaje que llega al horno de microondas no es bajo.

Si el reloj no indica siempre la hora correcta del día:

- ◆ verifique si el cordón eléctrico está totalmente insertado en el tomacorriente.
- ◆ verifique si el horno está debidamente puesto a tierra.
- ◆ trate de enchufar el horno en un tomacorriente en un circuito eléctrico separado.

Si el fondo del horno o la bandeja de vidrio están calientes:

- ◆ esto es normal. El fondo absorbe el calor del alimento.

Si el interior del horno acumula humedad:

- ◆ esto es normal. Los alimentos producen humedad cuando se están cocinando y el vapor se acumula en la puerta y en la superficie del horno. Limpie el exceso de humedad del horno después de cada uso.

Si el alimento no se cocina en forma pareja:

- ◆ consulte su receta para los procedimientos de cocción apropiados.
- ◆ asegúrese de que el alimento tiene forma pareja.
- ◆ asegúrese de que el alimento esté completamente descongelado antes de cocinarlo.
- ◆ verifique la colocación de franjas de aluminio para evitar sobrecocción.

Si el alimento no termina de cocinarse:

- ◆ verifique la receta para asegurarse que todas las instrucciones (cantidad, tiempo y niveles de energía) fueron correctamente seguidas.
- ◆ verifique el voltaje del hogar.
- ◆ trate de enchufar el horno en un tomacorriente de un circuito eléctrico separado.
- ◆ asegúrese de que el alimento esté completamente descongelado antes de cocinarlo.

Si el alimento se cocina demasiado:

- ◆ verifique la receta para asegurarse de que todas las instrucciones (cantidad, tiempo y niveles de energía) fueron correctamente seguidas.
- ◆ la temperatura inicial del alimento puede haber sido más alta que lo normal.

Si ocurren chispas:

- ◆ asegúrese de que está usando platos resistentes al microondas.
- ◆ asegúrese que no se están usando ataduras de alambre.
- ◆ asegúrese de que el horno no se hizo funcionar cuando estaba vacío.

Si el indicador visual muestra la cuenta regresiva del tiempo pero el horno no está cocinando:

- ◆ verifique si la puerta está firmemente cerrada.



Garantía Del Horno De Microonda

MC Appliance Corp. autoriza cada horno de microonda nuevo para estar libre de defectos en material y la ejecución y acuerda remediar cualquier defecto o equipar un nuevo part(s) (en la opción de los company?s) para cualquier part(s) de la unidad que ha fallado durante el período de la garantía. Las piezas y los costos del trabajo se cubren en esta unidad por un período de un año después de la fecha de la compra. MC Appliance Corp. autoriza el magnetrón (piezas solamente) para estar libre de defectos en material y la ejecución por un período de 8 años. El consumidor es responsable de todo el trabajo y los costos del transporte relacionados con la diagnosis y el reemplazo del magnetrón después de las uno garantías inicial del año expiran. Si en el acontecimiento la unidad requiere el reemplazo o el reembolso bajo términos de esta garantía el consumidor es responsable de todos los costos del transporte volver la unidad a nuestra fábrica antes de recibir una unidad o un reembolso del reemplazo. **Una copia de las ventas anticuadas pone el recibo/factura se requiere para recibir servicio de la garantía, reemplazo o reembolso.**

Esta garantía cubre aplicaciones en uso dentro de los Estados Unidos, del Puerto Rico y de la Hawaii continentales. La garantía no cubre el siguiente:

- Daños debido al daño del envío o a la instalación incorrecta.
- Daños debido al uso erróneo o al abuso.
- Pérdidas contentas debido a la falta de la unidad.
- Las reparaciones se realizaron por los agentes desautorizados del servicio.
- Llamadas de servicio que no implican defectos en material y la ejecución tal como instrucción en el uso apropiado del producto o de la instalación incorrecta.
- Reemplazo o reajuste de los fusibles o de los interruptores de la casa.
- Falta de este producto si está utilizado para otro entonces su propósito previst
- Costes de la disposici.n de unidades falladas no vueltas a nuestra f.brica
- Cualquier costos de la entrega contrajeron como el resultado de una unidad que falla de realizar como specifed.
- Gastos de viajes y el transporte de los productos principales de servicio si su aparato está situado en una zona remota donde el servicio por un técnico de servicio no está disponible.
- La remoción y reinstalación de su gran aparato, si está instalado en un lugar inaccesible o no está instalado de conformidad con las instrucciones de instalación publicadas.

Esta garantía está en lugar de todas las garantías expresadas o implicó y no se autoriza a ningún representante o persona a asumir para nosotros ninguna otra responsabilidad en la conexión con la venta de este producto. Bajo ningunas circunstancias está el consumidor permitido para volver esta unidad a la fábrica sin consentimiento anteriormente escrito de las ventas y de la comercialización, inc. de MC.

Modelo	Piezas	Trabajo	Magnetrón (Parte Solamente)	Tipo de servicio
MCO165UW	Uno-Año	Uno-Año	Ocho Años	En Casa
MCO165UB				

Para el servicio o la ayuda llame por favor 888 775-0202 o visítenos en la tela en www.mcappliance.com